

EDF 4527 QWE, EDF 4525 QWE, EDF 4535 QWE, EDF 6027 QWE

DISHWASHER
INSTRUCTION MANUAL

GESCHIRRSPÜLMASCHINE
BEDIENUNGSANLEITUNG

MYČKA NA NÁDOBÍ
NÁVOD K OBSLUZE

UMÝVAČKA RIADU
NÁVOD NA OBSLUHU

SAFETY INSTRUCTIONS

Read carefully and save for future use!

Warning: The safety measures and instructions, contained in this manual, do not include all conditions and situations possible. The user must understand that common sense, caution and care are factors that cannot be integrated into any product. Therefore, these factors shall be ensured by the user/s using and operating this appliance. We are not liable for damages caused during shipping, by incorrect use, voltage fluctuation or the modification or adjustment of any part of the appliance.

Always, when using electrical appliances, you should follow basic precautions including the following measures to prevent the risk of fire or electric shock:

- Do not force open the door or the baskets for dishes, do not sit on the door and do not step on it.
- Do not touch the heating element after finishing the washing.
- Do not start the dishwasher until it is properly seated. If the dishwasher is running, open the door very carefully because of the risk of scalding.
- Do not place heavy objects on the open door, the dishwasher could tip over.
- When you put in the dishes for washing:
 1. Place sharp-edged objects so that they do not damage the door seal.
 2. Attention: Knives and similar sharp objects must be put into baskets horizontally or with sharp edges downward.
- When using the dishwasher, make sure that the plastic items cannot come into direct contact with heating elements.
- After the end of the washing cycle, check, if the detergent dispenser is empty.
- Do not wash plastic dishes in the dishwasher that are not identified as suitable for a dishwasher.
- Use only detergents and rinse aids designed for dishwashers.

- Use only detergents and rinse aids designed for automatic dishwashers. Never use soaps, laundry detergents or detergents for manual washing.
- Protect your appliance from children.
- Prevent children from coming into contact with washing detergent. Do not let them come close to the open door, inside may still be residues of detergent.
- The appliance is not designed for people with limited physical, sensory or mental abilities (including children), or lack of experience and knowledge, unless they are supervised or are familiarized with the use of the device by a person responsible for their safety.
- Children should be supervised to ensure that they do not play with the appliance.
- The detergents are strongly alkaline and their ingestion can be extremely dangerous! Prevent contact with skin and eyes. When the door is open, prevent children to come close to the dishwasher.
- Do not leave the door open, you can easily trip over it.
- If the power cable is damaged, it may be replaced only by the manufacturer, service technician or other qualified person, to avoid the risk of electric shock.
- Ensure ecological liquidation of the packaging material.
- Use the dishwasher only for the purpose for which it was designed.
- The power cable may not be pulled, bent or overloaded during installation. Do not touch the controls before installation.
- When installing connect a new set of hoses, old hoses should not be used again.
- If there are ventilation openings on the bottom of the appliance, they must not be covered by a carpet.
- The appliance is intended for household use. Commercial use will void the warranty.

GROUNDING OF THE APPLIANCE

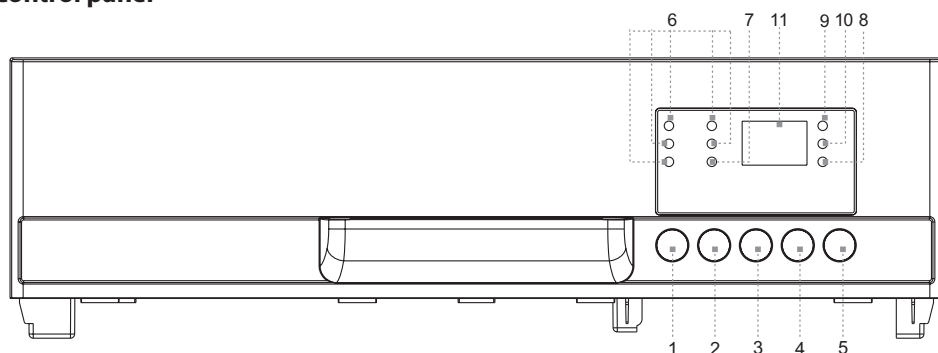
- This appliance must be grounded. In the event of a failure or accident, grounding reduces the risk of electric shock. The appliance is

equipped with a three core power cable with a plug with grounding contact. In accordance with local laws and directives, the power cord must be connected to a properly grounded power outlet. Improper connection of the grounding conductor may increase the risk of electric shock.

- If you are not convinced about proper grounding of the appliance, contact a qualified technician. If the power cord plug of the device does not match your wall outlet, ask a qualified technician for replacement.

DESCRIPTION

Control panel

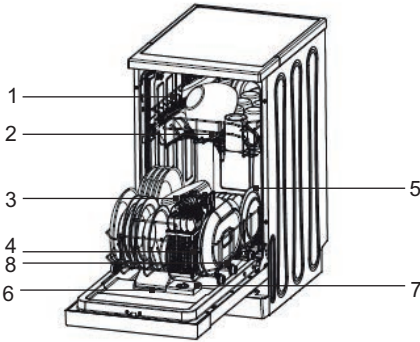


1. **Switch:** Switching the appliance on and off.
2. **Program selection buttons:** Select the required program by pressing the button repeatedly. The selected wash program is signalled by the corresponding light coming on.
3. **Half Load button /Dry+*:** By pressing this button, you can select the additional functions: half load, extra drying or both functions at once.
4. **Delay start button/child lock:** You can delay the start of the program by up to 24 hours by pressing this button. You can activate the child lock by pressing this button for at least 3 seconds, "LO" flashes 6 times on the display.
5. **START/PAUSE button:** Press this button to start or to pause the washing.
6. **Selected program indicators:** The selected program is indicated by the relevant indicator light.
7. **Half load indicator:** This indicator lights up if you activate the additional function "Half load".
8. **Dry+ indicator:** This indicator lights up if you activate the additional function "Dry+".
9. **Rinse-aid refill indicator:** Lights up when you need to refill the dispenser.
10. **Salt refill indicator:** Lights up when you need to refill the salt dispenser.
11. **Digital display:** Shows the remaining part of the program, error codes and countdown of the delayed start.

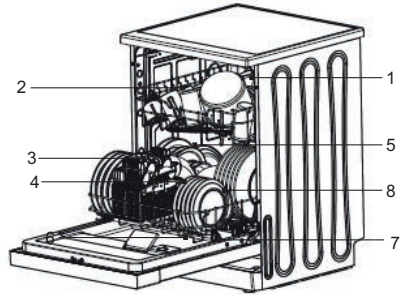
* **Dry+:** By selecting this additional function, the drying time will be extended by another 5 minutes after the program has finished for a better drying result.

Dishwasher interior

Dishwashers 45 cm



Dishwashers 60 cm



1. Upper basket
2. Spray arms
3. Bottom basket
4. Salt container

5. Cutlery compartment
6. Detergent dispenser
7. Rinse aid dispenser
8. Filter

INSTALLATION INSTRUCTIONS

WARNING!

- Entrust the dishwasher connections for power supply and water supply to qualified professionals.
- The appliance must not stand on the supply or drain hose or on the electrical power cable.
- The dishwasher must be connected to a water supply with a new set of hoses. Do not use an old supply hose.

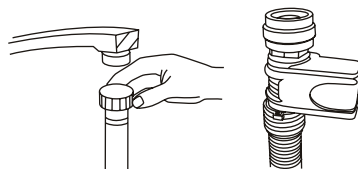
Placement of the dishwasher

- Before installation, unpack the dishwasher and dispose of all packaging according to label instructions, and make sure that there is no damage caused by transportation. If you find any damage, stop the installation immediately and contact your vendor.
- When choosing a place for the dishwasher, make sure that you can load and unload dishes easily.
- Place the dishwasher close to water supply and drain.
- To facilitate the installation, the supply and drain hoses may be connected from left and right sides.
- When moving the dishwasher, do not lift it holding the door or the front panel.
- The dishwasher can also be inserted under your kitchen counter. Be careful when inserting the dishwasher in place that you do not squeeze the supply and drain hoses. Make sure that the dishwasher is not standing on the power cable.
- Place the dishwasher on a flat hard floor. Using the front adjustable feet, level the dishwasher horizontally. The tilt of the dishwasher should not exceed 2°. The level horizontal position ensures greater stability, prevents movement of the appliance and limits vibration and noise. Correct positioning of the dishwasher will also make the opening and closing of the door easier.
- If the dishwasher door does not close correctly, make sure the dishwasher is stable and level and if necessary adjust the level using the adjustable levelling feet.

Note: The maximum height of the adjustable feet is 20 mm.

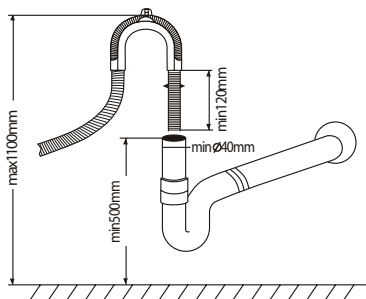
Connecting the water supply hose

1. The water pressure must be in range 0,04 up to 1,0 MPa. If the water pressure is lower, contact a technician.
2. Make sure that the supply hose is not bent or twisted.
3. If the water pipes are new or have not been used for a long time, have at first flow out enough water until completely clean water comes out.
4. Attach the hose to the water supply with 3/4 inch thread and tighten fittings.
5. Check the tightness of the connection.
6. Open the water supply tap fully before using the dishwasher.



Connecting the drain hose

Connect the drain hose to the drain pipe and make sure that the hose does not bend or twist. If the drain hose is too short, contact an authorized service center to request a longer hose of the same material. Keep in mind that the hose must not be even with an extension longer than 4 meters. A longer drain hose would prevent proper functioning of the dishwasher. Attach the hose firmly to the drain pipe so that it will not loosen during the operation of the dishwasher.



Connecting to the sink siphon

The waste connection must be placed at a height of between 50 cm (minimum) and 100 cm (maximum) above the bottom of the dishwasher. The drain hose should be attached by a clamp. The free end of the hose must not be submerged in water.

Power connection

Before connecting the plug of the power cord into an electrical outlet, check the following:

- The outlet is grounded and complies with current standards.
- The outlet is suitable for the maximum power of the appliance, which is indicated on the rating plate on the inside of the door.
- The outlet voltage corresponds to the one on rating plate of the appliance.
- The type of outlet matches the type of plug of the power cord of the appliance. Otherwise, ask an authorized technician to replace the improper outlet. Do not use extension cords or power strips to connect the dishwasher.

Starting the dishwasher

Before starting the dishwasher, you need to check the following items.

1. The dishwasher stands straight and firm.
2. The intake valve is open.
3. Hose connections do not leak water.
4. The power cable is properly connected.
5. The outlet is powered.
6. The supply and drain hoses are not pinched or twisted.
7. All packaging and labels are removed from the dishwasher.

WARNING

- After installation keep the instruction manual.
- The content of the manual provides important information for the user.

OPERATING INSTRUCTIONS

Before first use

Before first operation:

1. Adjust the water hardness, see chapter below.
2. Pour 500ml of water into the salt dispenser and fill it with dishwasher salt.
3. Fill the rinse aid dispenser.
4. Fill the detergent dispenser.

Setting the salt consumption

The dishwasher allows to regulate the consumption of salt depending on the hardness of the water used. Thus can be the salt consumption optimized and regulated. When regulating the salt consumption, proceed as follows:

Salt dispenser can be set from H0 to H7, when setting is H0, the salt is not dispensed.

Determine the hardness of your water (this information can be obtained from your water supplier), and set the dose according to water hardness table:

1. Close the door.
2. Turn on the dishwasher using the button "Power".
3. Hold the button "Delay" and then press for 5 seconds the button "Program". A beep signal sounds and the display flashes H. (the default setting is H4).
4. Press the button "Delay" to change the setting. The value of the dose increases by 1 level with each pressing of the "Delay" button. After reaching H7, it jumps with next pressing of the "Delay" button to H0 (dispensing is off).
5. Press the button "Program". The setting is saved in the memory of the appliance.

Water hardness table

Water hardness		mmol/l	Set value
°Clark	Hardness		
0-8	soft	0-1.1	H0
9-10	soft	1.2-1.4	H1
11-12	medium	1.5-1.8	H2
13-15	medium	1.9-2.1	H3
16-20	medium	2.2-2.9	H4
21-26	hard	3.0-3.7	H5
27-38	hard	3.8-5.4	H6
39-62	hard	5.5-8.9	H7

Note:

- The water hardness can vary in each area.
- If hard water would be used, deposits would form on the dishes and cutlery.
- The appliance is equipped with a special water softener using salt dispenser designed to remove calcium and other minerals from the water.

Addition of salt to water softener

The salt dispenser is located under the bottom basket. Fill it according to the following description:

- Use only salt designed for dishwashers! Other types of salts, which are not intended for dishwashers, for example kitchen salt could damage the dishwasher. In case of damage caused by use of improper salt the manufacturer does not keep warranty and is not responsible for any damage.
- Replenish salt just before starting one of the complete washing programs. You will prevent corrosion due to left over salt crystals or overflowed solution on the bottom of the dishwasher.



- Remove the bottom basket and then unscrew and remove the lid of the salt container **1**.
- When filling the container for the first time, fill it up to 2/3 volume with water (about 500 ml) **2**.
- Put the funnel (not included) into the opening in the container and pour in about 2 kg of salt (for 60 cm dishwashers), 1.2 kg of salt (for 45 cm dishwashers). A small amount of water usually overflows from the dispenser.
- Screw the lid back properly after filling the dispenser.
- Usually within 2–6 days after filling the salt container the salt indicator light goes off.

Note:

- Salt should be added when on the control panel the salt indicator lights up. Before the salt fully dissolves, the salt indicator is lit even after the salt has been replenished.
- If you spill salt around the container, start the soaking / rinsing program, which removes salt.

Filling the rinse aid dispenser

The rinse aid function

Rinse aid is automatically dispensed for the final polishing process and prevents spotting and streaking upon drying.

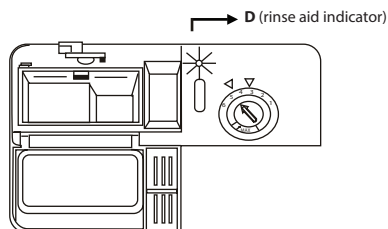
WARNING

Use only brand name rinse aids for the dishwasher. Never fill the rinse aid dispenser with any other substances (e.g. dishwasher detergent, liquid detergent). The dishwasher could be damaged.

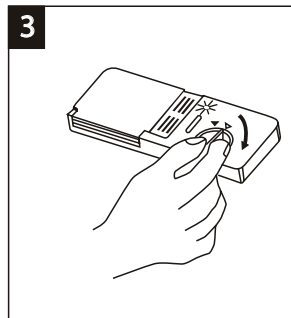
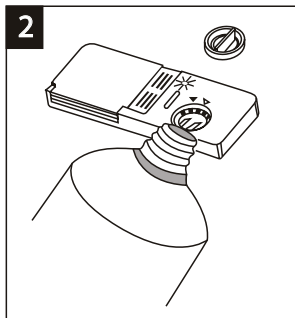
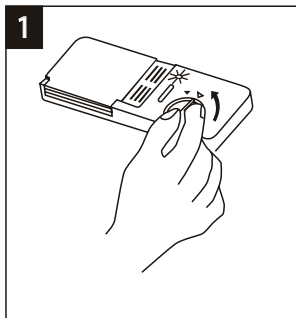
When to replenish the rinse aid dispenser

When the rinse aid content decreases, the extent of indicator's dark parts changes as shown in the picture.

- Full
- 3/4 of the content
- 1/2 of the content
- 1/4 of the content – necessary to replenish to prevent spots.
- Empty



RINSE AID DISPENSER



1. Open the dispenser by turning the cap to the arrow "open" (left) and remove the lid.
2. Pour in the rinse aid carefully so it does not overflow.
3. Put the lid back on, flush with the arrow "open", and close it by turning right towards "closed".

The rinse aid is released during the final phase of the program during polishing. This prevents forming drops on the dishes, which would leave them with stains and smudges. Also, it speeds drying and water draining from the dishes.

Liquid rinse aid is used in your dishwasher. The rinse aid dispenser is located in the door next to the detergent dispenser. When filling the dispenser remove the lid and pour rinse aid into it until indicator of rinse aid goes completely dark. The volume of the rinse aid dispenser is 140 ml.

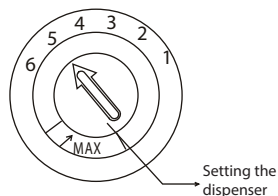
Be careful to avoid overfilling the dispenser – residues of rinse aid cause foaming. Wipe off the leaked residue with cloth. Before closing the door, remember to put back the lid of the dispenser.

WARNING

Wipe with absorbent cloth the rinse aid spilled during replenishing, to prevent excessive foaming during the next wash.

Setting the rinse aid dispenser

Rinse aid dispenser allows six setting positions. For the first time wash set the control to "4". If you encounter difficulties with bad drying and spots, increase the rinse aid dosage by removing the lid dispensers and set the control to "5". If the dishes still are not drying well and bear noticeable stains, set the control to the next higher value, until spots stop forming. The manufacturer's setting is 5.



Note:

- If after washing are on the dishes drops of water or chalky stains, increase the rinse aid dosage. If there appears on the dishes white, sticky spots or on the knives and glass bluish coating, reduce the rinse aid dosage.

Detergent function

The detergent contains chemicals necessary to dissolve and remove dirt from dishes and wash them out of the dishwasher. For these purposes are suitable most of the quality generally available detergents.

Concentrated detergent

According to their chemical composition, detergents can be split into two basic groups:

- Conventional alkaline agents with caustic components
- Weak alkaline concentrated agents with natural enzymes

Using the washing program "Eco" together with the concentrated detergent reduces environmental pollution and is optimal for your dishes. These washing programs are specially adapted to the enzyme's ability to dissolve

dirt. For this reason can the "Eco" wash program using concentrated detergent achieve the same results, which would otherwise only be achieved using the "intensive" program.

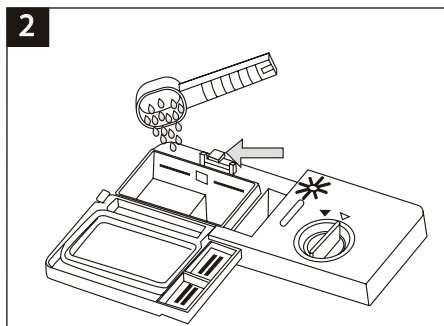
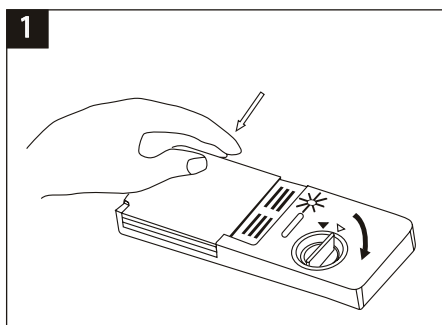
Detergent tablets

Detergents in tablets of different brands dissolve at different speeds. For this reason, some tablets during short programs are not completely dissolved and do not release all cleaning agents. Therefore use the detergents in tablets only for long programs to dissolve all the contained chemicals.

Detergent dispenser

The detergent must be added before each wash as described in the instruction in the program table. This dishwasher uses less detergent and rinse aid than conventional dishwashers. The normal dose of detergent is only one tablespoon for one wash of normal load of dishes. More dirty dishes require a higher dose of detergent. Always add the detergent just before starting the dishwasher, otherwise it could become moist and hard to dissolve.

Used amount of detergent



Note:

- When the lid is closed: push the open button. The lid opens.
- Add detergent just before washing. Use only brand name detergents designed for dishwashers.

WARNING

Detergents are aggressive substances! Keep carefully away from children.

Proper use of detergent

Use only detergents designed for use in dishwashers. Store detergents in a dry and clean place. Pour the powder detergent in the dispenser just before dishwashing.

Detergent dosage

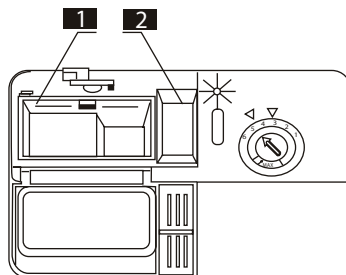
Fill the dispenser with detergent. Markings indicate the correct dose, as shown:

- 1** Compartment for the main cycle detergent dose. The value "MIN" represents about 20 g of the detergent.
- 2** Compartment for pre-wash dose, about 5 g of the detergent.

When dispensing and storing detergents, make sure to follow the manufacturer's instructions on the packaging.

Push the lid until it locks.

If the dishes are heavily soiled, fill the detergent compartment of the prewash cycle also. The agent will start to work during prewash.



Note:

- In the program table you will find information about dosage of detergent for each program. Please note that due to the degree of soiling of the dishes and the hardness of the water some differences may occur.
- Read the recommendations of the manufacturer on the detergent's packaging.

Detergents

There are three kinds of detergents

1. With phosphates and chlorine
2. With phosphates without chlorine
3. Without phosphates and without chlorine

New powder detergents usually do not contain phosphates. For this reason there is not water softening by phosphates. In this case it is recommend to fill the salt container, even if the water hardness is only 6°dH. When using phosphate-free detergent with hard water, on the dishes and glass often appear white spots. In this case you can achieve better results, when you add larger amount of detergent. Chlorine-free detergents bleach less. Dark coloured stains may not be removed completely. In this case, run a program with higher working temperature.

Half Load function

1. Half Load is an additional function of the dishwasher, allowing full washing of half load.
2. When you turn on the Half Load function, you can use common washing programs: Intensive, Economical (ECO), 90 min. and 30 min. and Rinse. The pre-rinse cannot be used when the Half load function is activated.
3. When the "Half load" function is switched on, the water pressure is adjusted when washing dishes and changes in time intervals for the individual washing steps. The washing times become shorter.

Using the "3 in 1" tablets**General recommendations**

These products are detergents with integrated rinse aid and softener (salt).

1. You should make sure prior to using these products that the hardness of your water allows the use of the tablets (see the recommendation of the manufacturer on the product package).
2. These products should be used exactly according to the manufacturer's instructions.
3. If you would encounter problems when using "3 in 1" the first time, contact the customer support of the manufacturer.

Special recommendation

- When using combined products, the rinse aid and the softener are not effective. It could be useful to set the lowest possible water hardness.

Filing the dishwasher baskets

You will achieve the best cleaning results if you follow these instructions. The function and the appearance of the baskets can vary according to the model of the dishwasher. Incorrect placement in the baskets may cause dishes and cutlery to become unclean after washing.

Loading and unloading dishes from the basket

- Remove larger food leftovers from the dishes. Let the pans with burnt leftovers soak. It is not necessary to pre-rinse the dishes under running water.
- Load the objects in the dishwasher as follows:
 - Place items such as cups, glasses, pots, bowls, etc. upside down to prevent them from collecting water.
 - Glasses and other fragile objects must not touch each other to prevent damage.
 - Lay diagonally the dishes curved or arched portions to allow water to run out.
 - Dishes and cutlery must not lie inside one another and may not overlap.
 - Load larger items, more difficult to wash, in the bottom basket.
 - The upper basket is designed for fragile and smaller items such as glasses, cups or mugs.
 - Arrange all the object so that they cannot be overturned.

- Arrange all objects so that the spray arms can move freely.
- You should not put very small objects in the dishwasher; they could fall through the basket.
- When loading the dishwasher, the bottom and the upper basket should not be pulled out simultaneously to prevent overturning.

WARNING

- Make sure that no object can pass through the basket bottom.
- Always place sharp objects with the cutting edge downwards!
- Do not place long or sharp objects (such as knives) in an upright position, as there is a danger of injury. Place them horizontally in the upper basket.

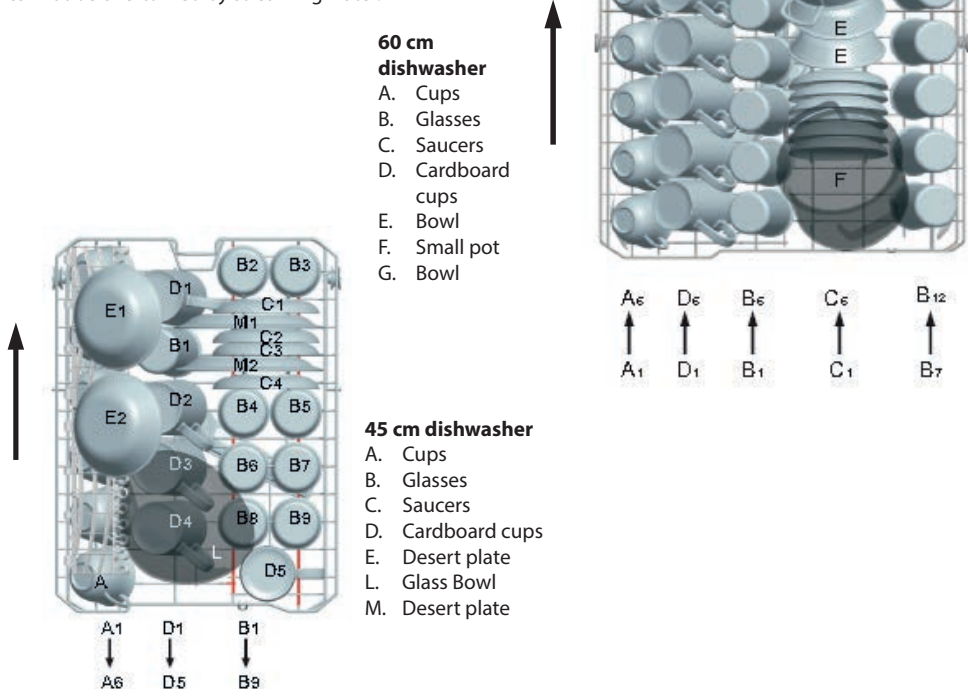
Unloading dishes from the dishwasher

We suggest that you empty the lower basket first and then the top, you avoid dripping water from the upper basket to the bottom.

Filling the upper basket

The upper basket is designed for smaller and more fragile items such as glasses, mugs, cups and saucers, plates, bowls and shallow bowls (if they are not too dirty).

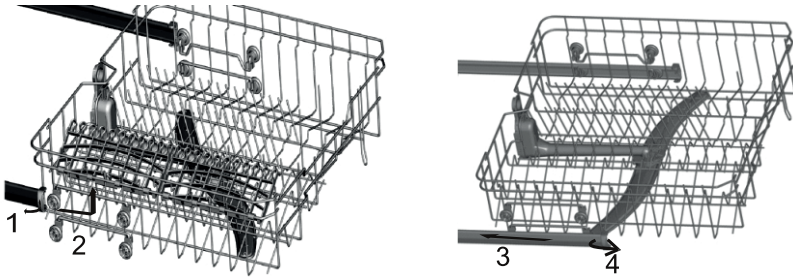
Load the dishes and the cutlery in such a way that they cannot be overturned by streaming water.



Adjusting the upper basket

The height of the upper basket can be adjusted to create more space for larger items in either the upper or lower basket. Adjust the height of the upper basket by inserting the basket rollers in the rails positioned at

different heights. Load the long objects, serving and table cutlery and knives in the basket in such a way that they do not impede the movement of the spray arms. Compartment can be laid down or removed if not used.



Filling the lower basket

Larger objects and objects that are difficult to clean, i.e. pots, pans, lids, plates and bowls, should be placed in the lower basket as shown in the picture.

We recommend to put the plates and the lids on the sides of the basket so as not to impede the rotation of the upper spray arm.

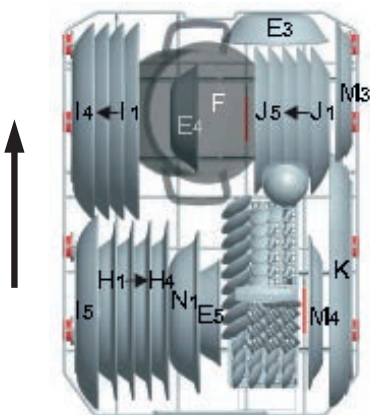
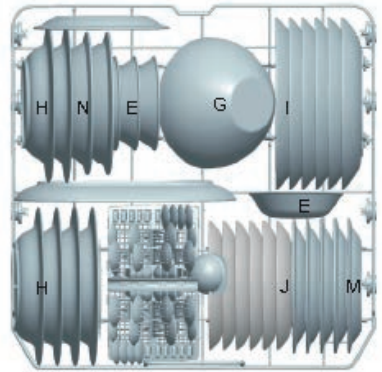
Pots, bowls, etc. must always be placed upside down.

Deep pots are loaded on slant to allow water to run out of them.

The bottom basket has folding stands enabling the loading of large pots and pans.

60 cm dishwasher

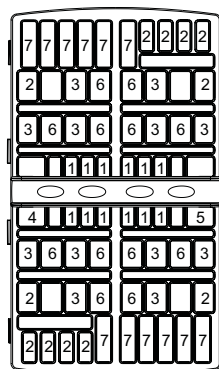
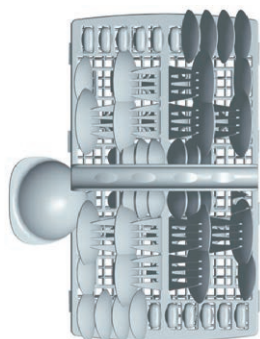
- G. Dessert Bowl
- H. Soup plate
- I. Shallow plate
- J. Dessert plate
- K. Oval plate
- L. Glass Bowl
- M. Dessert plate
- N. Melamine bowl



45 cm dishwasher

- E. Dessert Bowl
- H. Soup plate
- I. Shallow plate
- J. Dessert plate
- K. Oval plate
- F. Smaller pot
- M. Dessert plate
- N. Melamine bowl

Cutlery basket for 60 cm dishwashers



Side toward the door



1. Coffee spoons
2. Desert spoons
3. Soup spoons
4. Ladle
5. Serving forks
6. Forks
7. Blades

Dishes unsuitable for washing in the dishwasher

Entirely unsuitable

Cutlery with handles of wood, porcelain, horn or mother of pearl.

Plastic dishes which are not heat resistant.

Cutlery with glued parts that are not heat resistant.

Glued dishes and cutlery.

Tin and copper objects.

Crystal glass.

Steel objects, which corrode.

Wooden boards.

Objects made of synthetic fibres.

Sharp kitchen knives whose blades lose their properties by washing.

Not recommended

Certain types of glass, which may be tarnished after repeated washing.

Silver and aluminium parts which tend to lose color during washing.

Glazed patterns may fade when frequently washed in a dishwasher.

NOTE: Do not insert objects soiled by cigarette ash, wax or paint. When buying a new kitchen equipment, make sure that it is suitable for dishwasher.

NOTE: Never overload the dishwasher. Do not use dishes that are not suitable for use in dishwashers. Only in this way you will get good results and save energy.

Loading dishes and cutlery

Before loading dishes:

- Remove larger leftovers.
- Let the remains of burnt meals soak.

NOTICE

- Make sure that no object can pass through the basket bottom.
- Always load sharp objects with blades downward!

When loading the dishes and cutlery, always make sure that:

- The loaded items do not impede turning of the spray arms.
- Hollow items such as cups, glasses, bowls, etc. load upside down, so that the water does not collect in them.
- Dishes and cutlery must not lie inside one another and may not overlap.
- The glasses should not touch one another to prevent damage.
- Load larger items, more difficult to wash, in the bottom basket.
- The upper basket is designed for more delicate and smaller items such as glasses, cups and mugs.

WARNING

Long-bladed knives loaded in an upright position are a potential hazard!

Long or sharp objects, such as carving knives must be positioned horizontally in the upper basket.

Damage to glasses and other dishes

Possible causes:

- Unsuitable type of glass or product. Chemical composition of the detergent.
- Unsuitable water temperature and length of the program.

Recommended solutions:

- Use glass and china marked by the manufacturer as dishwasher safe.
- Use fine detergents designed for the appropriate dishes. If necessary, ask the detergent manufacturer for more information.
- Select program with lower temperature.
- Remove glass and cutlery out of the dishwasher as soon as possible after washing to prevent possible damage.

After finishing washing

Press the power button to switch off the dishwasher, stop the water supply and open the door of the dishwasher. Before removing the dishes from the dishwasher, wait a few minutes before handling the dishes while they are still hot and there is a greater risk of breakage. Also, the dishes dry better.

STARTING THE WASH PROGRAM

Table of wash programs

For 45 cm dishwashers						
Programme	Information for program selection	Program description	Detergent Pre-wash/wash	Program length (min.)	Energy consumption (kWh)	Water consumption (l)
Intensive	For heavily soiled pots and pans and dishes with dried food remains.	Pre-wash Wash (62°C) Rinse 1 Rinse 2 Hot rinse Drying	3/14 g (or 3in1)	170	1.20	16.4
Eco (*EN 60436) (standard program)	For normally soiled loads, such as pots, plates, glasses and lightly dirty pans. Standard daily cycle.	Pre-wash Wash (44°C) Hot rinse Drying	3/14 g (or 3in1)	240	0.704	10
90 min	Light washing program is suitable for delicate dishes, sensitive to high temperatures. (Start immediately after using the dishes)	Wash (60°C) Rinse Hot rinse Drying	3/12 g	90	0.84	10
30 min	Lightly and normally soiled glasses, plates or bowls, everyday washing.	Pre-wash Wash (40°C) Hot rinse	10 g	30	0.50	6.8
Rinse	To rinse dishes, which you want to wash later.	Pre-wash	–	13	0.01	3.6

For 60 cm dishwashers						
Programme	Information for program selection	Program description	Detergent Pre-wash/wash	Program length (min.)	Energy consumption (kWh)	Water consumption (l)
Intensive	For heavily soiled pots and pans and dishes with dried food remains.	Pre-wash Wash (60°C) Rinse 1 Rinse 2 Hot rinse Drying	4/16 g (or 3in1)	180	1.30	16
Eco (*EN 60436) (standard program)	For normally soiled loads, such as pots, plates, glasses and lightly dirty pans. Standard daily cycle.	Pre-wash Wash (44°C) Hot rinse Drying	4/16 g (or 3in1)	237	0.922	11
90 min	Light washing program is suitable for delicate dishes, sensitive to high temperatures. (Start immediately after using the dishes)	Wash (50°C) Rinse Hot rinse Drying	3/15 g	90	0.89	14
30 min	Lightly and normally soiled glasses, plates or bowls, everyday washing.	Pre-wash Wash (40°C) Hot rinse	15 g	30	0.50	7

For 60 cm dishwashers						
Programme	Information for program selection	Program description	Detergent Pre-wash/wash	Program length (min.)	Energy consumption (kWh)	Water consumption (l)
Rinse	To rinse dishes, which you want to wash later.	Pre-wash	–	11	0.01	4

Values for programmes other than ECO are indicative.

- 1 The ECO programme is suitable to clean normally soiled tableware, it is the most efficient program in terms of its combined energy and water consumption. This programme is used to assess compliance with EU eco-design legislation.
- 2 Manual pre-rinsing of tableware items leads to increased water and energy consumption and is not recommended.
- 3 Washing tableware in a household dishwasher usually consumes less energy and water than hand dish washing when the household dishwasher is used according to this instruction manual. Filling the household dishwasher up to the capacity indicated by the manufacturer will help to save energy and water.

Information for comparative test in accordance with EN 60436 is as follows:

- Capacity: 12 sets for 60 cm dishwashers, 9 sets for 45 cm dishwashers
- Upper basket position: Bottom position
- Setting of rinse-aid dispenser: 5 (or 4 for dispenser with four positions)

Switching on the appliance

Starting the wash program

1. Fill both baskets with dishes and load them back.
We recommend that you fill first the lower basket and then the upper one.
2. Add the detergent (see chapters on dosage).
3. Connect the power cord to a suitable power outlet, see rating plate of the appliance. Check, if the water supply is fully open.
4. Make sure that nothing prevents the spray arms from moving and close the door.
5. Press the power switch and pressing the program button select the required washing cycle, see Program table.

Note:

- When you properly close the door you will hear a click. After completing the wash, you can turn off the appliance by pressing the power button.

Changing program

Basic condition: You can change the program during the operation only in case that the dishwasher runs for only a short time. Otherwise, the detergent may be already consumed and water is drained. Then you need to refill the detergent dispenser again (see section "Adding detergent").

1. Press the power button to cancel the program and when you press this button again, you turn the dishwasher on.
2. Now you can select new required program (see "Starting the washing program").

Note:

- If you open the door during the washing cycle, the dishwasher stops, an alarm signal sounds and the display shows error message "E1". When you close the door, the dishwasher resumes washing after a short pause.

Note:

- If all the control lights start flashing, it means that the dishwasher is out of order. Turn off the main switch, close the water supply and call service.

If you forget to load the dishes

Forgotten dishes can be loaded at any time until the opening of the detergent dispenser.

1. Open the door slightly and wait until the program stops.
2. Once the spray arms stop working, you can open the door.
3. Load the forgotten dishes.
4. Close the door, the dishwasher starts again after 10 seconds.

WARNING!

- It is dangerous to open the door during operation, there is a risk of scalding by the hot water. The washing program stops only when the digital display shows “- - -” and a beep sounds 6x. Then turn off the dishwasher using the power switch and turn off the water supply.

After finishing program

1. Press the switch to turn the dishwasher off.
2. Close the water supply.
3. Open the dishwasher door carefully, leave it ajar and wait a few minutes before removing the dishes. The dishes can cool down and dry better.

Notes

- Open the door carefully, the steam coming from the open door is hot!
- Before removing the dishes and cutlery from the dishwasher, wait a few minutes, because shortly after washing the dishes are hot and could easily crack.

Unloading dishes from the dishwasher

- The interior of the dishwasher is usually moist.
- Empty first the lower and then the upper basket. Thus you will avoid water dripping from the upper into the bottom basket.

MAINTENANCE AND CLEANING

Filtration system

The filter protects the pump against penetration of larger pieces of food and other objects. Remains of food may clog the filter. Therefore it is necessary to remove and clean the filter from time to time.

Filtration system consists of a coarse filter, a flat (main filter) and a fine microfilter.

1 Flat filter

The food remains and dirt are guided by a special jet on the lower arm into this filter.

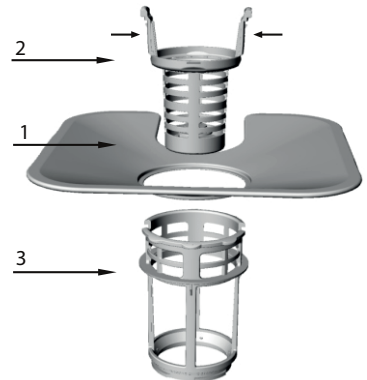
2 Coarse filter

This filter captures the larger particles such as pieces of bone or glass, which could clog the drain. If you need to remove trapped particles from the filter, gently squeeze the tabs at the top and pull out the filter.

3 Micro filter

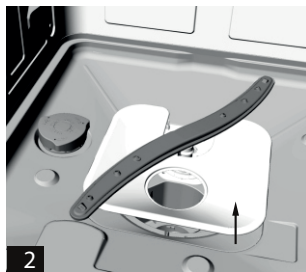
This filter captures in the dirt trap small food particles and prevents their returning on the dishes.

- Check after each use of the dishwasher that the filter is not clogged.
- After unscrewing the coarse filter, you can remove the entire filter system. Remove all food remains and then rinse the filter under running water.





Step 1: Turn the filter counterclockwise and then slide it out.



Step 2: Push the flat filter upward.

Note:

- When removing the filter, proceed from step 1 to step 2, when inserting the filter back, proceed from step 2 to step 1.

Filter assembly

Regular filter cleaning ensures optimum performance and washing results. The filter effectively captures particles from the wash water and allows the recycling of water during the cycle. It is therefore advisable after each wash cycle to remove from the filter larger trapped particles by rinsing the filter under running water. Remove the filter by pulling the tab of the filter in the vertical direction. The whole filter should be cleaned once a week.

Use a cleaning brush to clean the coarse and fine filter. Then reassemble the filter as shown above and insert the entire filtration system into the dishwasher back into position and push it downward.

WARNING!

- **The dishwasher must never be used without a filter!** Improper insertion of the filter may reduce the performance of the appliance and damage dishes and utensils.
- Do not tap on the filter when cleaning it. Deformed filter negatively affects the functionality of the appliance.

Cleaning of the spray arms

Regular cleaning of the spray arms of chemicals from hard water is important because emerging limescale clogs jets and bearings. You can remove the spray arms by unscrewing the nut at the top of the arm in a clockwise direction, then you can remove the arms. Rinse spray arms in warm, soapy water and using a soft brush clean the jets. After thorough rinsing put the arms back.

Caring for the dishwasher

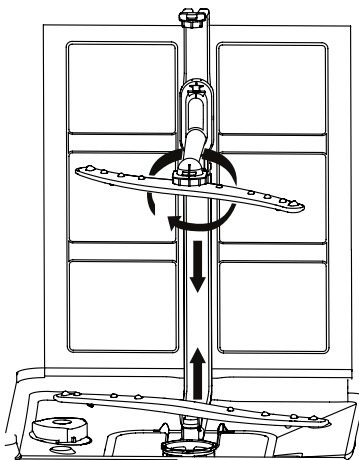
Clean the control panel using slightly wet cloth. Dry thoroughly after cleaning.

For the maintenance of the exterior use high quality polishing wax. Never use sharp tools, abrasive powders or aggressive cleaners to clean the dishwasher.

Frost protection

If the dishwasher is left in the winter in an unheated place, do the following:

1. Disconnect the dishwasher from power.
2. Close the water supply and disconnect the hose from the water supply.
3. Drain water from the water supply hose and water valve. (Use pot to catch the water.)



4. Reconnect the water supply hose to the water valve.
5. From the bottom of the dishwasher, remove the filter tank and use a sponge to dry the water from the sink trap.

Cleaning the door

- Use only a cloth dampened with warm water to clean around the rim of the door. Do not use spray cleaners to prevent water from penetrating the door lock or electrical components. Also do not use any abrasive cleaners or abrasive powders that could scratch the surface of the appliance. Even some paper towels can leave traces on the surface or scratches.

How to keep your dishwasher in good condition

After each washing

After each wash, close the water supply to the appliance and leave the door slightly open so that the moisture and odors can vent from the interior.

Disconnect the power supply

Before any cleaning and maintenance disconnect the power supply. Do not take a risk.

Do not use solvents or abrasive cleaners

Never use solvents or abrasive cleaners to clean the exterior and rubber parts of the dishwasher. Use only cloth dipped into warm, soapy water. Remove stains and residue from the interior surfaces of the dishwasher with a cloth soaked in a mild vinegar solution or a special agent intended for dishwashers.

During vacations

If the appliance will not be in use for longer time, perform a wash cycle without dishes, disconnect the power supply, close the water supply and leave the door of the dishwasher ajar. This will prevent forming odors inside the appliance and you will save the door seal.

Moving the dishwasher

If the machine must be moved, try to transport it in an upright position. If it is absolutely necessary, it can be placed on its back.

Seal

Remains of food that gets stuck in the door seals are one of the factors creating the odor in the dishwasher. Prevent the formation of odor by regularly cleaning the seal with a damp sponge.

TROUBLESHOOTING TIPS

Before calling the service

The commendations in the following table may help you solve the problem. If the problem persists, contact an authorized service center.

Problem	Possible cause	Corrective action
The dishwasher does not start.	There is a blown fuse or a tripped circuit breaker.	Replace the fuse or switch back the breaker. Disconnect all electrical appliances plugged into the same outlet circuit.
	The power is not on.	Make sure the dishwasher is turned on and the door is properly closed. Make sure that the power cord plug is securely plugged into the wall outlet.
	Too low water pressure	Make sure the water supply is connected properly and the intake valve is open.
The drain pump does not stop	Overflow	The system is designed to detect an overflow condition. In this case, the circulation pump stops and the drain pump starts.
Noise	Certain sounds are normal during washing	Sound of opening the lid of the detergent dispenser.
	Dishes are not properly secured in baskets or a small object fell into the basket.	Make sure that all the dishes in the dishwasher are properly secured.
	Motor noise	The dishwasher was not used regularly. If you rarely use the dishwasher, do not forget every week to fill and drain water to prevent drying of seals.

Problem	Possible cause	Corrective action
Foam in the dishwasher tub	Wrong detergent	Use only detergents designed for automatic dishwashers. In the case of foam, open the dishwasher door and let the foam evaporate. Pour into the tub about 4.5 litres of cold water. Close the dishwasher and run the program "soaking" to drain the water. Repeat if necessary.
	Rinse aid overflow	Wipe the spilled rinse aid immediately.
Coloured interior of the tub	Detergent with dye was used.	Make sure that the detergent used does not contain dyes.
The dishes and cutlery are not clean	Unsuitable program was selected	Select a more intensive program.
	Improper loading of dishes in the baskets	Make sure that the effects of the detergent dispenser and spray arms are not blocked by large dishes.
Spots and film on glasses and cutlery	<ol style="list-style-type: none"> 1. Very hard water 2. Low temperature 3. Too many dishes in the dishwasher 4. Incorrectly loaded dishes 5. Old or wet detergent 6. Empty rinse aid dispenser 7. Incorrect dosage of the detergents 	Removing spots from glass: <ol style="list-style-type: none"> 1. Remove all metal cutlery 2. Do not replenish detergent 3. Select the longest program 4. Run the dishwasher and let it run for about 18 to 22 minutes before coming into the main wash. 5. Open the door and pour in 2 cups of white vinegar. 6. Close the door and let the dishwasher finish the program. If the vinegar does not help: Repeat the above procedure, but instead of vinegar, use 1/4 cup (60 ml) of citric acid crystals.
Coating on glassware.	The combination of soft water and an excessive amount of detergent.	If you are using soft water, use less detergent for glass washing and select a shorter program.
Yellow or brown film on interior surfaces	Coffee or tea spots	Use a solution of 1/2 cup of bleach and 3 cups of water and remove stains manually. ATTENTION! After completing the program, wait before cleaning the interior surface for at least 20 minutes to let the heating elements cool down. Otherwise, there is a risk of burns.
	Metal deposits in water can cause pervasive coating	Contact your water supplier with a request to install a special filter.
White coating on the inner surface.	Hard water containing minerals	To clean the interior, use a sponge soaked in detergent for dishwashers. Use rubber gloves. Never use any other cleaner than for dishwasher to prevent formation of foaming or suds.
Detergent dispenser lid does not close properly	The residue of detergent clogged the lid catch.	Remove the residue of the detergent from the catch.
Detergent remained in the detergent dispenser trays.	The dishes blocked the dispenser trays.	Rearrange the dishes.
Steam	This is normal	Certain amount of steam comes through the ventilation openings during drying and draining of water.
Black or gray spots on the dishes.	Aluminium utensils have rubbed against other dishes.	To remove these stains use a mild abrasive cleaner.
Water remains on the bottom of the sink	This is normal	Small amount of water on the bottom of the sink prevents drying of the water seal.
Water leak from the dishwasher	Overfilling dispenser or spill of the rinse aid	Make sure that you do not overfill the rinse aid dispenser. Spilled rinse aid can cause excessive foaming and may lead to overflow. Wipe the spilled rinse aid using wet cloth.
	The dishwasher is not in level position	Make sure that the dishwasher is in level position.

If the instructions in the table above do not resolve the problem you have encountered, contact your dealer or an authorised service centre. Unintentional tampering with the appliance may compromise the safety of use and void the warranty. Contact for authorized service is provided in the enclosed warranty certificate.

Error codes

In the event of a malfunction a corresponding error code appears on the dishwasher control panel using the LED indicators.

Code	Meaning	Possible cause
E1	Open door	Open door during dishwasher running
E2	Water supply	Water supply malfunction
E3	Water drainage	Water drainage malfunction
E4	Temperature sensor	Temperature sensor failure
E5	Overflow/leakage of water	Overflow/leakage of water occurred
E6	Water leakage	Water leakage occurred
E7	Heating element	Heating malfunction

WARNING

- All repairs or adjustments including cord replacements shall be performed by an authorised service centre! Otherwise, you run the risk of injury or loss of warranty.
- Please refer to the attached Warranty Sheet or www.ecg-electro.eu for professional service of this product.
- Spare parts listed in EU 2019/2022 are available for 10 years.
- You can access the product database, where model information is stored (according to EU 2019/2017) by reading the QR code on the energy label.
- If there is a water leak, close the water inlet valve and contact an authorized service center. If there is on the floor of the dishwasher water due to overflow or leak, remove it before restarting the dishwasher.

Note:

The appliance meets European standards and regulations in their current version:

- LVD – EU directive 2014/35/EU
- EMC – EU directive 2014/30/EU
- EUP 2019/2022

The above values were measured under specific conditions, in accordance with the relevant standards. Results may vary significantly depending on the amount and degree of soiling of the dishes, water hardness, amount of detergent, etc.

This instruction manual is written according to the standards and regulations of the European Union.

TECHNICAL SPECIFICATIONS

	EDF 4527 QWE	EDF 4525 QWE	EDF 4535 QWE	EDF 6027 QWE
Height (cm)	84.5	84.5	84.5	84.5
Width	44.8	44.8	44.8	60
Depth (including connections)	60	60	60	60
Power input	1850 W	1850 W	1850 W	1850 W
Rated voltage/frequency	220–240 Vac / 50 Hz	220–240 Vac / 50 Hz	220–240 Vac / 50 Hz	220–240 Vac / 50 Hz
Water pressure (hydrodynamic pressure)	0,4–10.0 bar = 0,04–1.0 MPa	0,4–10.0 bar = 0,04–1.0 MPa	0,4–10.0 bar = 0,04–1.0 MPa	0,4–10.0 bar = 0,04–1.0 MPa

DISPOSAL

Remove properly all the packaging material from the dishwasher.
All packaging material can be recycled.

Plastic parts are marked with standard international abbreviations:

- PE.....polyethylene, e.g. shrink wrap
- PS.....styrofoam, e.g. padding material
- POM.....polyoxymethylene, e.g. plastic clips
- PP.....polypropylene
- ABS.....acrylonitrile-butadiene-styrene, e.g. a control panel

A NOTICE

- Packaging material may be dangerous for children!
- Please, hand over the unused packaging material to the collection center. Disable the appliance by removing the door and by cutting the power cord.
- Cardboard packaging is made from recycled paper and therefore should be separately collected for further recycling.
- Proper disposal of the device will help to protect the environment and human health, which could be jeopardized in case of improper handling of the product.
- For more information about recycling this product, contact your local authorities or collection center.

DISPOSAL: Do not place the product into unsorted municipal household garbage. Individual parts have to be separated according to the materials and stored separately for further processing.

USE AND DISPOSAL OF WASTE

Wrapping paper and corrugated paperboard – deliver to scrapyard. Packing foil, PE bags, plastic elements – throw into plastic recycling containers.

DISPOSAL OF PRODUCTS AT THE END OF LIFETIME

Disposal of electric and electronic equipment (valid in EU member countries and other European countries with an implemented recycling system)

The represented symbol on the product or package means the product shall not be treated as domestic waste. Hand over the product to the specified location for recycling electric and electronic equipment. Prevent negative impacts on human health and the environment by properly recycling your product. Recycling contributes to preserving natural resources. For more information on the recycling of this product, refer to your local authority, domestic waste processing organization or store, where you purchased the product.



08/05

This product complies with EU directives on electromagnetic compatibility and electrical safety.
This product meets the requirements for heavy metals in electrical equipment.



The operating manual is available at www.ecg-electro.eu.

Changes of text and technical parameters reserved.

SICHERHEITSHINWEISE

Bitte aufmerksam lesen und gut aufbewahren!

Warnung: Die in dieser Anleitung angeführten Sicherheitsvorkehrungen und Hinweise umfassen nicht alle Umstände und Situationen, zu denen es kommen könnte. Der Anwender muss begreifen, dass der gesunde Menschenverstand, Vorsicht und Sorgfalt zu Faktoren gehören, die sich in kein Produkt einbauen lassen. Diese Faktoren müssen durch den Anwender bzw. mehrere Anwender bei der Verwendung und Bedienung dieses Gerätes gewährleistet werden. Wir haften nicht für Schäden, die durch Transport, eine unsachgemäße Verwendung, Spannungsschwankungen sowie eine Änderung oder Modifikation des Gerätes entstehen.

Um Brände oder Stromunfälle zu verhindern, müssen bei der Verwendung von elektrischen Geräten u.a. folgende Grundmaßnahmen eingehalten werden:

- Tür und Geschirrkörbe niemals mit Gewalt öffnen. Sie sollten niemals auf der Tür sitzen oder auf diese steigen.
- Heizkörper nach dem Waschgang nicht berühren.
- Geschirrspülmaschine erst nach dem Aufstellen einschalten. Während des Betriebes sollten Sie die Tür äußerst vorsichtig öffnen, da Verbrühungsgefahr besteht.
- Platzieren Sie keine schweren Gegenstände auf die offene Tür, die Geschirrspülmaschine könnte umkippen.
- Einlegen von Geschirr in die Spülmaschine:
 1. Gegenstände mit scharfen Kanten sollten so hineingelegt werden, damit sie nicht die Türdichtung beschädigen.
 2. Vorsicht: Messer und sonstige scharfe Gegenstände sollten waagrecht in die Körbe ggf. mit Schneide nach unten hineingelegt werden.
- Geben Sie Acht, damit Gegenstände aus Kunststoff nicht in direkten Kontakt mit den Heizkörpern kommen.
- Kontrollieren Sie nach jedem Waschzyklus, dass der Behälter für Waschmittel leer ist.

- Waschen Sie in der Geschirrspülmaschine kein Kunststoffgeschirr, das nicht für Geschirrspülmaschinen geeignet ist.
- Benutzen Sie nur Reinigungsmittel und Klarspüler, die für die Geschirrspülmaschine geeignet sind.
- Benutzen Sie nur Reinigungsmittel und Klarspüler, die für automatische Geschirrspülmaschinen geeignet sind. Benutzen Sie niemals Seifen, Waschpulver oder Reinigungsmittel für Handwäsche.
- Schützen Sie das Gerät vor Kindern.
- Kinder dürfen nicht in Kontakt mit dem Waschmittel kommen. Kinder sollten außer Reichweite der offenen Tür gehalten werden, da sich im Inneren der Geschirrspülmaschine Waschmittelreste befinden können.
- Das Gerät ist nicht für Personen (einschließlich Kinder) mit eingeschränkten physischen, sensorischen und mentalen Fähigkeiten sowie mangelnden Erfahrungen und Kenntnissen bestimmt, sofern diese nicht beaufsichtigt oder über den Gebrauch des Gerätes durch eine für ihre Sicherheit zuständige Person belehrt wurden.
- Kinder sollten beaufsichtigt werden, damit sie nicht mit dem Gerät spielen.
- Waschmittel sind sehr alkalisch und könnten bei Verzehr äußerst gefährlich sein! Vermeiden Sie Kontakt mit Haut und Augen. Bei offener Tür sind Kinder außer Reichweite der Geschirrspülmaschine zu halten.
- Tür nicht geöffnet lassen, um Unfälle durch Stolpern zu vermeiden.
- Ein beschädigtes Stromkabel dürfen nur der Hersteller, ein Servicearbeiter oder eine andere qualifizierte Person ersetzen. Auf diese Weise können Stromunfällen vermieden werden.
- Das Verpackungsmaterial sollte umweltfreundlich entsorgt werden.
- Benutzen Sie die Geschirrspülmaschine für den Zweck, für den Sie konzipiert wurde.
- Das Stromkabel darf während der Installation nicht gestreckt, gebogen oder belastet werden. Bedienelemente vor dem Anschließen nicht berühren.

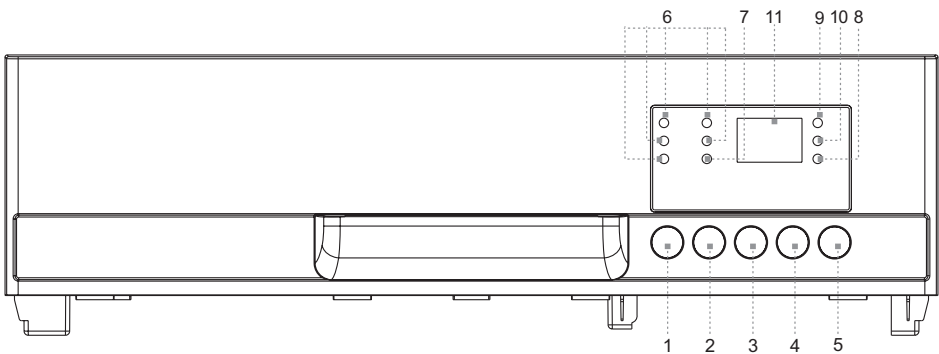
- Benutzen Sie bei der Installation ein neues Schlauchset, alte Schläuche sollten nicht mehr benutzt werden.
- Falls sich im unteren Teil der Geschirrspülmaschine Belüftungsöffnungen befinden, dürfen diese nicht mit einem Teppich verdeckt werden.
- Das Verbrauchsgerät ist ausschließlich für den Haushaltsgebrauch bestimmt. Die Garantie erlischt bei kommerzieller Nutzung.

ERDUNG DES GERÄTES

- Dieses Gerät muss geerdet werden. Eine Erdung reduziert das Stromschlagrisiko bei Störungen oder Pannen. Das Gerät kommt mit einem dreiadrigen Stromkabel, das einen Stecker mit Erdungskontakt hat. Das Stromkabel muss an eine geerdete Steckdose gemäß den lokalen Vorschriften und Anordnungen angeschlossen sein. Ein falsches Anschließen des Schutzleiters erhöht das Stromschlagrisiko.
- Falls Sie sich bzgl. der Erdung des Gerätes nicht sicher sind, wenden Sie sich an einen qualifizierten Techniker. Falls der Gerätestecker nicht mit Ihrer Steckdose übereinstimmt, bitten Sie einen qualifizierten Techniker, damit er die Steckdose auswechselt.

BESCHREIBUNG

Bedienfeld

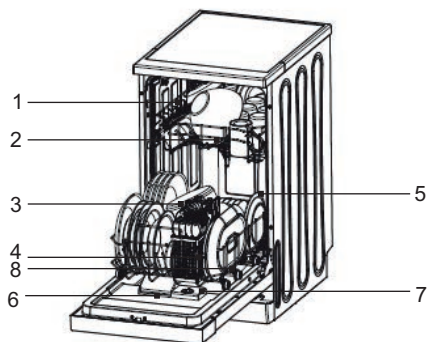


1. **Ein-/Ausschalttaste:** Ein- und Ausschalten des Gerätes.
2. **Programmwahl**tasten: Wählen Sie das gewünschte Waschprogramm durch mehrmaliges Drücken der Taste aus. Das ausgewählte Waschprogramm wird durch das Leuchten der jeweiligen Anzeige indiziert.

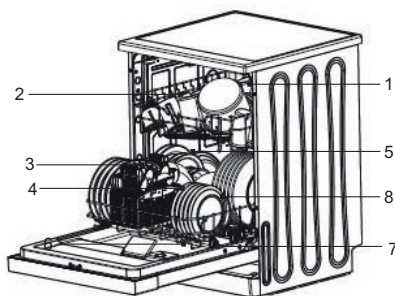
3. **Taste für halbe Beladung/Dry+***: Mit dieser Taste können Sie folgende Zusatzfunktionen auswählen: halbe Beladung, extra Trocknen ggf. beide Funktionen auf einmal.
4. **Taste für verzögerten Start/Kindersicherung**: Mit dieser Taste kann der Programmstart um bis zu 24 Stunden aufgehoben werden. Aktivieren Sie die Kindersicherung, indem Sie diese Taste für mindestens 3 Sekunden gedrückt halten, auf dem Display blinkt 6x die Anzeige „LO“.
5. **Taste START/PAUSE**: Mit dieser Taste starten oder stoppen Sie den Waschvorgang.
6. **Programmanzeigen**: Das ausgewählte Programm wird durch das Leuchten der jeweiligen Anzeige indiziert.
7. **Anzeige für halbe Beladung**: Diese Anzeige leuchtet, falls die Zusatzfunktion „halbe Beladung“ aktiviert wurde.
8. **Anzeige Dry+**: Diese Anzeige leuchtet, falls die Zusatzfunktion „Dry+“ aktiviert wurde.
9. **Anzeige zum Nachfüllen des Klarspülers**: Die Anzeige beginnt zu leuchten, sobald der Behälter nachgefüllt werden muss.
10. **Anzeige zum Nachfüllen von Salz**: Die Anzeige beginnt zu leuchten, sobald der Salzbehälter nachgefüllt werden muss.
11. **Digitales Display**: Zeigt die restliche Zeit eines Programmes, Fehlercodes und die bis zum aufgehobenen Start verbleibende Zeit an.

Innenraum der Geschirrspülmaschine

Geschirrspülmaschinen 45 cm



Geschirrspülmaschinen 60 cm



* **Dry+**: mit dieser Zusatzfunktion wird die Trocknungszeit nach Programmende um weitere 5 Minuten verzögert, damit ein besseres Trocknungsergebnis erzielt wird.

- | | |
|-----------------|-----------------------------------|
| 1. Oberkorb | 5. Besteckkorb |
| 2. Sprüharme | 6. Behälter für Waschmittel |
| 3. Unterkorb | 7. Vorratsbehälter für Klarspüler |
| 4. Salzbehälter | 8. Filter |

INSTALLATIONSHINWEISE

WARNUNG!

- Das Anschließen an das Stromnetz und an die Wasserzufuhr sollte ein qualifizierter Arbeiter vornehmen.
- Das Gerät darf nicht auf Zuleitungs- und Ablaufschläuchen oder dem Stromkabel stehen.
- Beim Anschließen an die Wasserleitung muss ein neues Schlauchset benutzt werden. Benutzen Sie keine alten Zuleitungsschläuche.

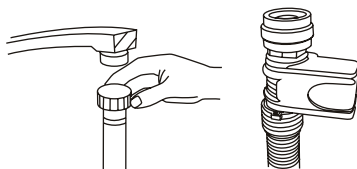
Platzierung der Geschirrspülmaschine

- Geschirrspülmaschine vor der Installation auspacken, sämtliches Verpackungsmaterial entfernen (s. Hinweise auf der Verpackung) und Geschirrspülmaschine auf mögliche Transportschäden überprüfen. Falls Sie irgendeine Beschädigung feststellen, unterbrechen Sie die Installation und kontaktieren Ihren Händler.
- Wählen Sie bei der Installation einen geeigneten Ort aus, an dem das Geschirr mühelos hineingelegt/ herausgenommen werden kann.
- Platzieren Sie die Geschirrspülmaschine in der Nähe von Wasser- und Ablaufleitungen.
- Zuleitungs- und Ablaufschläuche können links oder rechts angebracht werden, was die Installation um einiges erleichtert.
- Heben Sie die Geschirrspülmaschine beim Umstellen nicht mit Hilfe der Tür oder des vorderen Bedienfeldes.
- Die Geschirrspülmaschine kann u.a. unter die Küchenarbeitsplatte geschoben werden. Geben Sie Acht, damit die Wasserzuleitung oder die Ablaufleitung beim Einschieben der Geschirrspülmaschine nicht eingeklemmt wird. Geben Sie Acht, damit die Geschirrspülmaschine nicht auf der Stromleitung steht.
- Stellen Sie die Geschirrspülmaschine auf einen geraden Fußboden. Die Geschirrspülmaschine kann mit Hilfe der vorderen einstellbaren Füße in eine waagerechte Position versetzt werden. Die Neigung sollte nicht größer als 2° sein. Eine waagerechte Position sorgt für eine größere Stabilität, beugt unerwünschten Bewegungen vor und reduziert Vibrationen und Lärm. Eine richtige Positionierung sorgt u.a. für ein müheloses Öffnen und Schließen der Tür.
- Falls die Tür der Geschirrspülmaschine nicht richtig anliegt, überprüfen Sie, ob die Spülmaschine stabil und waagrecht steht. Falls nötig, Füße einstellen.

Bemerkung: Die Füße sind bis 20 mm höhenverstellbar.

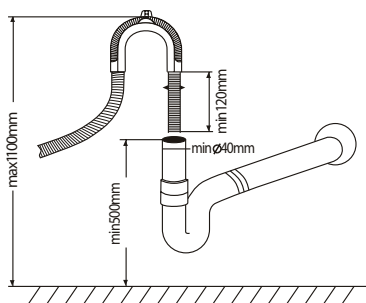
Anschließen der Wasserleitung

1. Der Wasserdruck sollte in einem Bereich von 0,04 bis 1,0 MPa liegen. Falls der Wasserdruck kleiner ist, wenden Sie sich an Ihren Techniker.
2. Der Zuleitungsschlauch darf weder gebogen noch verdreht sein.
3. Falls die Wasserleitungsrohre neu sind oder lange nicht benutzt wurden, lassen Sie zunächst etwas Wasser abfließen und warten, bis nur klares Wasser ausfließt.
4. Schlauchendstück an die Wasserzuleitung mit 3/4 Gewinde aufsetzen und Schraubung nachziehen.
5. Dichtigkeit der Verbindung überprüfen.
6. Zuleitungshahn vor dem Gebrauch der Geschirrspülmaschine öffnen.



Anschließen des Ablaufschlauches

Schließen Sie den Ablaufschlauch an die Abflussleitung an und vergewissern sich, dass der Schlauch weder gebogen noch geknickt ist. Falls der Ablaufschlauch zu kurz ist, wenden Sie sich an eine autorisierte Kundendienststelle und wünschen einen längeren Schlauch aus demselben Material. Denken Sie daran, dass der Schlauch, obgleich verlängert, nicht länger als 4 Meter sein darf. Ein längerer Ablaufschlauch könnte die Funktionsfähigkeit des Geschirrspülers beeinträchtigen. Der Schlauch muss gut an die Abflussleitung befestigt werden, damit er sich während des Waschvorganges nicht löst.



Anschließen an den Siphon

Die Abwasserleitung muss in 50 cm Höhe (Minimum) und 100 cm (Maximum) über dem Boden der Geschirrspülmaschine angeschlossen werden. Der Ablaufschlauch sollte mit einer Klemme befestigt werden. Das lose Schlauchende darf nicht ins Wasser getaucht sein.

Anschließen an das Stromnetz

Ehe Sie den Stecker in die Steckdose stecken, sollten Sie folgendes überprüfen:

- Die Steckdose ist geerdet und entspricht den geltenden Normen.
- Die Steckdose entspricht dem maximalen Anschlusswert des Gerätes (s. Typenschild auf der Innenseite der Tür).
- Die Spannung in der Steckdose entspricht der Spannung auf dem Typenschild.
- Die Steckdose stimmt mit dem Gerätestecker überein. Sollte dies nicht der Fall sein, wenden Sie sich an einen autorisierten Techniker, der die Steckdose auswechselt. Benutzen Sie weder Verlängerungskabel noch Mehrfachsteckdosen.

Inbetriebnahme der Geschirrspülmaschine

Vor der Inbetriebnahme muss folgendes überprüft werden.

1. Die Geschirrspülmaschine steht gerade und ist stabil.
2. Das Zuleitungsventil ist offen.
3. Aus den Schlauchverbindungen entkommt kein Wasser.
4. Das Stromkabel wurde angeschlossen.
5. Die Steckdose steht unter Spannung.
6. Die Zuleitungs- und Abflussschläuche sind weder eingeklemmt noch verflochten.
7. Von der Geschirrspülmaschine wurde sämtliches Verpackungsmaterial und Aufkleber entfernt.

HINWEIS

- Gebrauchsanweisung nach dem Gebrauch gut aufbewahren.
- Die Gebrauchsanweisung enthält wichtige Informationen.

GEBRAUCHSHINWEISE

Vor der Erstverwendung

Vor der Inbetriebnahme

1. Stellen Sie die Wasserhärte gemäß Kapitel unten ein.
2. Geben Sie in den Salzbehälter 500ml Wasser mit Spülmaschinensalz.
3. Klarspüler in den Vorratsbehälter geben.
4. Waschmittel in den Behälter geben

Einstellung des Salzverbrauches

Sie können den Salzverbrauch in Abhängigkeit von der Wasserhärte regulieren. Auf diese Weise kann der Salzverbrauch optimiert und geregelt werden. Gehen Sie wie folgt vor:

Der Salzbehälter kann zwischen H0 und H7 eingestellt werden. Bei H0 wird kein Salz dosiert.

Informieren Sie sich über die Wasserhärte (diese Informationen erhalten Sie beim Wasserlieferanten) und stellen die Dosierung in Abhängigkeit von der Wasserhärte ein:

1. Tür schließen.
2. Geschirrspülmaschine mit der Taste „Power“ einschalten.
3. Taste „Delay“ gedrückt halten, danach Taste „Program“ 5 Sekunden gedrückt halten. Anschließend ertönt ein akustisches Signal und auf dem Display blinkt die Anzeige H. (ab Werk wurde H4 voreingestellt).
4. Die Einstellung kann mit der Taste „Delay“ geändert werden. Mit jedem Drücken der Taste „Delay“ erhöhen Sie die Dosis um jeweils 1 Stufe. Sobald der Wert H7 erreicht wird, gelangen Sie durch erneutes Drücken der Taste „Delay“ zum Wert H0 (Dosierung AUS).
5. Taste „Program“ drücken. Die Einstellung wurde gespeichert.

Wasserhärte-Tabelle

Wasserhärte		mmol/l	Eingestellter Wert
°Clark	Härte		
0-8	weich	0-1.1	H0
9-10	weich	1.2-1.4	H1
11-12	mittel	1.5-1.8	H2
13-15	mittel	1.9-2.1	H3
16-20	mittel	2.2-2.9	H4
21-26	hart	3.0-3.7	H5
27-38	hart	3.8-5.4	H6
39-62	hart	5.5-8.9	H7

Bemerkung:

- Die Wasserhärte kann in jeder Region unterschiedlich sein.
- Bei hartem Wasser bilden sich auf Geschirr und Besteck Ablagerungen.
- Das Gerät kommt mit einem speziellen Wasserenthärter mit Salzbehälter, der Kalzium und andere Mineralien aus dem Wasser entfernt.

Salz in den Salzbehälter hinzugeben

Der Salzbehälter befindet sich unter dem Unterkorb. Befüllen Sie diesen folgendermaßen:

- Benutzen Sie ausschließlich Salz, das für Geschirrspülmaschinen geeignet ist! Salz, das nicht für Geschirrspülmaschinen geeignet ist (z.B. Speisesalz) könnte die Geschirrspülmaschine beschädigen. Der Hersteller haftet für keinerlei Schäden infolge der Anwendung eines ungeeigneten Salztyps.
- Füllen Sie das Salz unmittelbar vor Beginn eines kompletten Waschprogrammes nach. Somit beugen Sie einer Korrosion vor, die auf Salzkristalle oder eine ausgelaufene Lösung am Boden der Geschirrspülmaschine zurückzuführen ist.



- A. Nehmen Sie den Unterkorb heraus und schrauben und nehmen den Deckel des Salzbehälters ab **1**.
- B. Falls Sie den Behälter zum ersten Mal nachfüllen, befüllen Sie 2/3 des Behälters mit Wasser (etwa 500 ml) **2**.
- C. Benutzen Sie den Trichter (Teil des Lieferumfangs) und schütten etwa 2 kg Salz (für Geschirrspülmaschinen 60 cm) oder 1,2 kg Salz (für Geschirrspülmaschinen 45 cm). Gewöhnlich entkommt aus dem Behälter etwas Wasser.
- D. Nach dem Befüllen des Behälter Deckel erneut aufschrauben.
- E. Nach etwa 2 bis 6 Tagen sollte die Anzeige für Salz nicht mehr leuchten.

Bemerkung:

1. Salz muss nachgefüllt werden, sobald auf dem Bedienpaneel die Anzeige für Salz aufleuchtet. Es kein einige Zeit dauern, bis sich das Salz auflöst. Aus diesem Grund könnte die Anzeige für Salz noch eine Weile leuchten.
2. Falls das Salz rund um den Behälter verstreut wurde, aktivieren Sie das Programm für Einweichen/Spülen, um das Salz zu entfernen.

Klarspüler nachfüllen**Klarspüler-Funktion**

Der Klarspüler wird automatisch am Ende der Klarspülung dosiert. Es beugt Flecken und Streifen während der Trocknung vor.

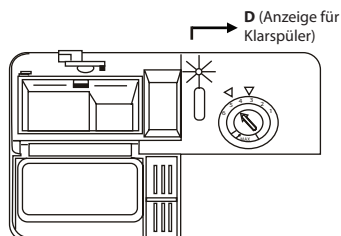
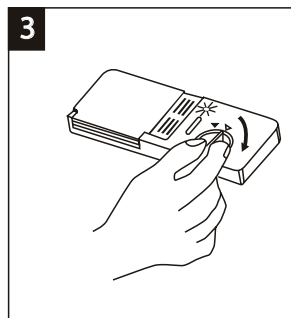
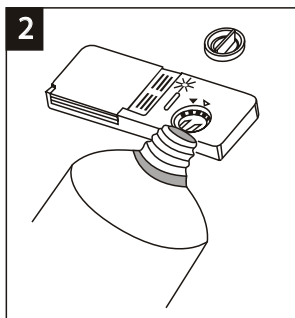
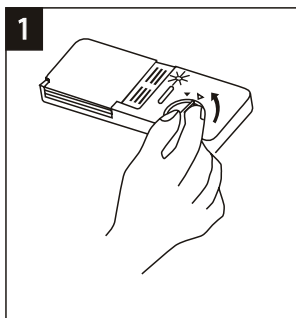
HINWEIS

Benutzen Sie ausschließlich Marken-Klarspüler. Befüllen Sie den Vorratsbehälter nur mit Klarspüler (niemals mit Putzmitteln für Spülmaschinen, flüssigen Reinigungsmitteln u.ä.). Die Geschirrspülmaschine könnte beschädigt werden.

Befüllen des Vorratsbehälters für Klarspüler

Die Anzeige für Klarspüler informiert über die Menge des verbleibenden Klarspülers (s. Bild).

- Voll
- 3/4 des Inhaltes
- 1/2 des Inhaltes
- 1/4 des Inhaltes – Klarspüler muss nachgefüllt werden, damit sich keine Flecken bilden.
- Leer

**VORRATSBEHÄLTER FÜR KLARSPÜLER**

1. Öffnen Sie den Vorratsbehälter, indem Sie den Deckel zum Pfeil „open“ (nach links) drehen. Nehmen Sie den Deckel ab.
2. Füllen Sie den Klarspüler vorsichtig nach, damit dieser nicht überläuft.
3. Legen Sie den Deckel wieder an (zum Pfeil „open“) und schließen durch Drehen in Richtung „closed“.

Der Klarspüler wird am Ende der Klarspülung dosiert. Auf diese Weise bilden sich auf dem Geschirr keine Tropfen, die Flecken und Streifen hinterlassen könnten. Darüber hinaus beschleunigt der Klarspüler das Trocknen und Abtropfen von Wasser.

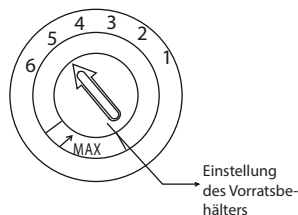
In Ihre Geschirrspülmaschine gehört flüssiger Klarspüler. Der Vorratsbehälter für Klarspüler befindet sich in der Tür neben dem Behälter für Waschmittel. Nehmen Sie den Deckel ab und füllen den Klarspüler nach, und zwar solange bis die Anzeige für Klarspüler dunkel wird. Das Volumen des Vorratsbehälters beträgt 140 ml. Achten Sie darauf den Vorratsbehälter nicht zu überfüllen, Überreste des Klarspülers könnten schäumen. Überreste mit einem Tuch abwischen. Vergessen Sie nicht den Deckel anzubringen.

HINWEIS

Ausgelaufenen Klarspüler mit einem saugfähigen Tuch entfernen. Auf diese Weise beugen Sie einer übermäßigen Schaumbildung während des nächsten Waschvorganges vor.

Einstellung des Vorratsbehälters für Klarspüler

Der Vorratsbehälter für Klarspüler hat sechs Einstellungspositionen. Versetzen Sie den Drehknopf beim ersten Waschen in Position „4“. Sollten Probleme beim Trocknen auftreten oder hinterlässt die Spülmaschine Flecken auf dem Geschirr, erhöhen Sie die Klarspüler-Dosierung, indem Sie den Deckel des Vorratsbehälters abnehmen und den Drehknopf in Position „5“ versetzen. Sollten die Probleme beim Trocknen und mit der Fleckenbildung überdauern, stellen Sie den Drehknopf auf einen höheren Wert ein, bis die Flecken zurückgehen. Ab Werk wurde der Wert 5 eingestellt.



Bemerkung:

- Falls Sie nach dem Waschen Wassertropfen oder Kalkflecken feststellen, sollten Sie die Klarspüler-Dosierung erhöhen. Falls Sie weißliche klebrige Flecken auf dem Geschirr und Messern bzw. eine bläuliche Schicht auf Gläsern feststellen, sollten Sie die Klarspüler-Dosierung reduzieren.

Waschmittel-Funktion

Reinigungsmittel enthalten chemische Stoffe, die Unreinheiten auf dem Geschirr lösen, entfernen und aus der Geschirrspülmaschine ausspülen. Hierfür sind die meisten herkömmlichen Reinigungsmittel geeignet.

Konzentriertes Reinigungsmittel

Anhand der chemischen Zusammensetzung unterscheidet man zwei Gruppen:

- Herkömmliche alkalische Mittel mit ätzenden Bestandteilen
- Leicht alkalische konzentrierte Mittel mit natürlichen Enzymen

Die Kombination des Waschprogrammes „Eco“ und eines konzentrierten Waschmittels reduziert die Umweltverschmutzung und ist optimal für Ihr Geschirr. Diese Waschprogramme wurden der Fähigkeit von Enzymen bzgl. des Auflösens von Unreinheiten angepasst. Aus diesem Grund kann man mit dem „Eco“ Waschprogramm mit einem konzentrierten Waschmittel dieselben Ergebnisse wie mit einem „intensiven“ Waschprogramm erzielen.

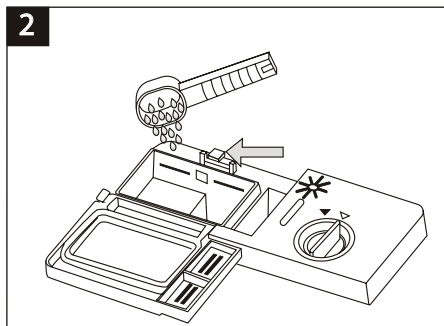
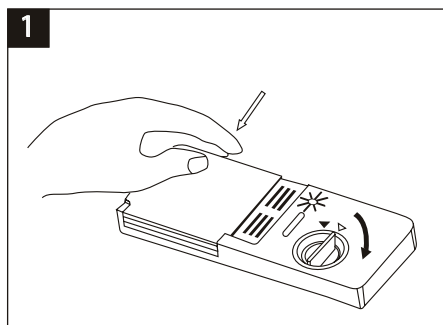
Reinigungstabletten

Reinigungstabletten lösen sich unterschiedlich schnell auf. Bei einem kurzen Waschprogramm könnte es dazu kommen, dass sich die Tablette nicht völlig auflöst, wodurch nicht alle reinigenden Stoffe freigegeben werden. Benutzen Sie Reinigungstabletten nur bei langen Waschprogrammen, damit alle Stoffe ausgespült werden.

Behälter für Waschmittel

Das Waschmittel muss nach jedem Waschen nachgefüllt werden (s. Programmtabelle). Diese Geschirrspülmaschine verbraucht weniger Waschmittel und Klarspüler als herkömmliche Geschirrspülmaschinen. Gewöhnlich reicht pro Waschvorgang einer normalen Geschirrmenge ein Löffel Waschmittel. Bei mehr verschmutztem Geschirr wird mehr Waschmittel benötigt. Geben Sie das Waschmittel kurz vor Programmstart hinzu, ansonsten könnte dieses feucht werden und sich schlecht auflösen.

Waschmittelmenge



Bemerkung:

- Falls der Deckel zu ist: Drücken Sie auf den Deckel. Der Deckel öffnet sich.
- Geben Sie das Waschmittel kurz vor Programmstart hinzu. Benutzen Sie nur Marken-Waschmittel, die für Geschirrspülmaschinen geeignet sind.

HINWEIS

Waschmittel sind aggressive Stoffe! Außer Reichweite von Kindern halten.

Richtige Anwendung von Waschmitteln

Benutzen Sie nur Waschmittel, die für die Geschirrspülmaschine geeignet sind. Waschmittel sollten auf einem trockenen und sauberen Ort aufbewahrt werden. Pulverförmige Waschmittel kurz vor dem Programmstart hinzugeben.

Dosierung von Waschmitteln

Behälter mit Waschmittel befüllen. Die Symbole informieren über die jeweilige Dosiermenge, s. Bild:

- 1** Bereich für die Dosis des Hauptwaschzyklus. Der Wert „MIN“ stellt etwa 20 g Waschmittel dar.
- 2** Bereich für die Dosis des Hauptwaschzyklus, etwa 5 g.

Dosieren und lagern Sie die Waschmittel gemäß Anweisungen des Herstellers, die der Verpackung zu entnehmen sind.

Drücken Sie auf den Deckel, bis dieser schließt.

Bei stark verschmutztem Geschirr empfehlen wir das Waschmittel auch in das Fach für den Vorwaschzyklus zu geben. Das Waschmittel aktiviert sich bereits beim Vorwaschzyklus.

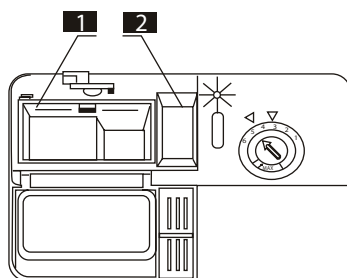
Bemerkung:

- Der Programmtabelle sind Informationen über die Waschmittel-Dosierung einzelner Programme zu entnehmen. Nehmen Sie zur Kenntnis, dass Verschmutzungsgrad und Wasserhärte ebenfalls eine Rolle spielen können.
- Lesen Sie die Empfehlungen des Herstellers, die der Verpackung zu entnehmen sind.

Waschmittel

Es gibt drei Arten von Waschmitteln

1. Mit Phosphat und Chlor
2. Mit Phosphat ohne Chlor



3. Ohne Phosphat und Chlor

Die heutigen pulverförmigen Waschmittel enthalten gewöhnlich kein Phosphat. Das bedeutet, dass die Wasserhärte kaum reduziert wird. In diesem Fall empfehlen wir den Salzbehälter nachzufüllen, obgleich die Wasserhärte nur 6°dH beträgt. Phosphatfreie Mittel und hartes Wasser verursachen oft weiße Flecken auf Geschirr und Glas. In diesem Fall erzielen Sie bessere Ergebnisse mit einer größeren Waschmittelmenge. Waschmittel ohne Chlor haben eine geringere Bleichwirkung. Dunkle und farbige Flecken müssen nicht völlig zurückgehen. In diesem Fall sollten Sie ein Waschprogramm mit einer höheren Temperatur auswählen.

Funktion halbe Beladung

1. Die halbe Beladung ist eine Zusatzfunktion der Geschirrspülmaschine, mit der die halbe Geschirrmenge vollwertig gewaschen wird.
2. Mit der Funktion halbe Beladung können gewöhnliche Waschprogramme benutzt werden: Intensiv, Ökonomisch (ECO), 90 min. und 30 min. und Spülen. Das Vorspülen kann jedoch bei aktiver Funktion halbe Beladung nicht benutzt werden.
3. Bei aktiver Funktion „Halbe Beladung“ werden Wasserdruck sowie Zeitintervalle einzelner Waschkvorgänge geändert. Die Gesamtwaschzeit wird verkürzt.

Tabletten „3in1“

Allgemeine Empfehlungen

Gewöhnlich handelt es sich um Waschmittel samt Klarspüler und Wasserenthärter (Salz).

1. Vor dem Gebrauch dieser Produkte sollten Sie sich vergewissern, dass sie Ihrer Wasserhärte entsprechen (s. Empfehlung des Hersteller auf der Produktverpackung).
2. Diese Produkte sollten gemäß Empfehlung der Hersteller benutzt werden.
3. Falls bei der ersten Verwendung von 3in1 Produkten Probleme auftreten, wenden Sie sich an die Kundenhotline Ihres Händlers.

Besondere Empfehlungen

- Falls kombinierte Produkte benutzt werden, sind Klarspüler und Enthärtungssalz nicht wirkungsvoll. Wir empfehlen die niedrigste Wasserhärte einzustellen.

Befüllen der Körbe

Die besten Ergebnisse erzielen Sie, indem Sie folgende Anweisungen befolgen. Funktionsweise und Design der Geschirr- und Besteckkörbe können in Abhängigkeit vom jeweiligen Gerätemodell variieren. Eine falsche Platzierung in den Körben kann dazu führen, dass Geschirr und Besteck nach dem Waschen unrein werden.

Hineinlegen von Geschirr in die Körbe/ Herausnehmen von Geschirr aus den Körben

- Entfernen Sie größere Speisereste vom Geschirr. Angebrannte Speisereste in Pfannen zunächst einweichen lassen. Das Geschirr muss vorher nicht unter fließendem Wasser abgespült werden.
- Gegenstände folgendermaßen in die Geschirrspülmaschine hineinlegen:
 - Gegenstände wie Tassen, Gläser, Schüssel u. dgl. mit Boden nach oben hineinlegen, damit sich im Inneren kein Wasser ansammelt.
 - Gläser und sonstige zerbrechliche Gegenstände dürfen sich nicht gegenseitig, berühren, damit sie nicht beschädigt werden.
 - Gefäße mit gekrümmten oder gewölbten Teilen sollten schräg hineingelegt werden, damit aus ihnen Wasser ausfließen kann.
 - Geschirr und Besteck darf nicht ineinander gelegt werden oder sich überdecken.
 - Größere Gegenstände, die schwer zu waschen sind, sollten in den Unterkorb gegeben werden.
 - Der Oberkorb ist für zerbrechliche und kleinere Gegenstände wie Gläser, Kaffeetassen oder Tassen bestimmt.
 - Ordnen Sie die Gegenstände so, damit diese nicht umkippen.
 - Ordnen Sie die Gegenstände so, damit sich die Sprüharme ungehindert bewegen können.
- Besonders kleine Gegenstände gehören nicht in die Geschirrspülmaschine, da diese durch den Korb hindurchfallen könnten.

- Beim Hineinlegen von Geschirr sollten beide Körbe (oben und unten) gleichzeitig herausgezogen werden, um ein Umkippen zu vermeiden.

HINWEIS

- Vergewissern Sie sich, dass kein Gegenstand durch den Korbboden hindurchgeht.
- Scharfe Gegenstände müssen mit der Schneide nach unten hineingelegt werden!
- Lange oder scharfe Gegenstände (wie Messer) dürfen nicht senkrecht in die Geschirrspülmaschine gegeben werden, da Verletzungsgefahr besteht. Geben Sie diese waagrecht in den Korb.

Herausnehmen von Geschirr

Wir empfehlen zunächst den unteren und erst dann den oberen Korb zu entleeren. Auf diese Weise tropft kein Wasser vom oberen auf den unteren Korb.

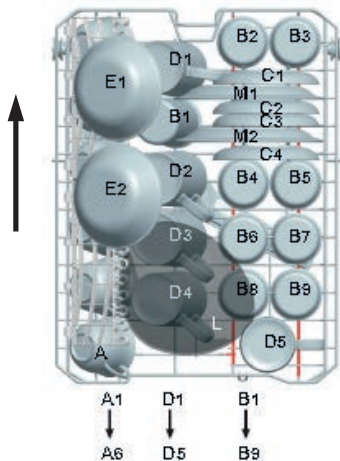
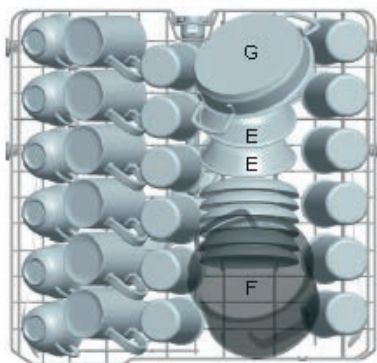
Befüllen des Oberkorbes

In den Oberkorb gehören zerbrechlichere und kleinere Gegenstände wie Gläser, Tassen, Untertassen, Teller, Schüssel und flache Schüsseln (sofern diese nicht sehr verschmutzt sind).

Geschirr und Besteck so platzieren, damit sie vom Wasserstrom nicht umgekippt werden.

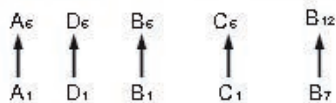
60 cm Geschirrspülmaschine

- A. Obertassen
- B. Gläser
- C. Teller
- D. Tassen
- E. Schüsseln
- F. Kleiner Topf
- G. Schüssel



45 cm Geschirrspülmaschine

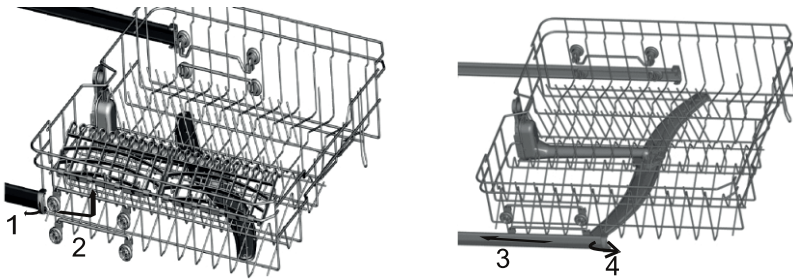
- A. Obertassen
- B. Gläser
- C. Teller
- D. Tassen
- E. Dessertteller
- L. Glasschüssel
- M. Dessertteller



Einstellung des Oberkorbes

Die Höhe des Oberkorbes kann so eingestellt werden, damit mehr Platz für größeres Geschirr geschaffen wird, sei es im oberen oder unteren Korb. Die Höhe des Oberkorbes kann mit Hilfe von Rädern eingestellt werden, die an Führungsschienen zu befestigen sind. Die Führungsschienen liegen unterschiedlich hoch. Lange Gegenstände, Servier- und Tischbesteck sowie Messer sollten in den Korb so platziert werden, damit

sie die Sprüharme nicht behindern. Falls nötig, kann der Glashalter heruntergeklappt oder herausgenommen werden.



Befüllen des Unterkorbes

Größere Gegenstände und Gegenstände, die mühelos zu waschen sind wie Töpfe, Pfannen, Deckel, Teller und Schüssel gehören in den Unterkorb (s. Bild).

Teller und Deckel sollten an den Seiten des Korbes platziert werden, damit sie den oberen Sprüharm nicht behindern.

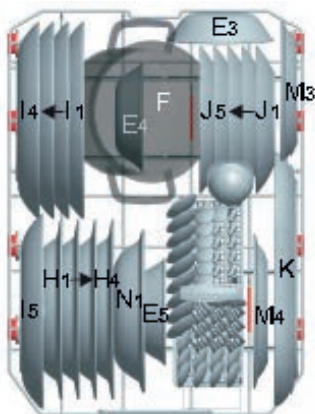
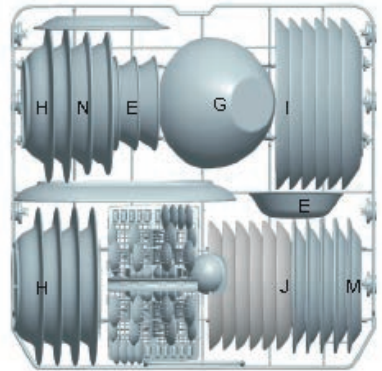
Töpfe, Schüssel u. dgl. müssen mit dem Boden nach oben hineingelegt werden.

Tiefe Töpfe sollten schräg hineingelegt werden, damit aus ihnen Wasser ausfließen kann.

Im unteren Korb befinden sich Klappreihen für große Töpfe und Pfannen.

60 cm Geschirrspülmaschine

- G. Dessertschüssel
- H. Suppenteller
- I. Essteller
- J. Dessertteller
- K. Ovaler Teller
- L. Glasschüssel
- M. Dessertteller
- N. Melamin-Schüssel



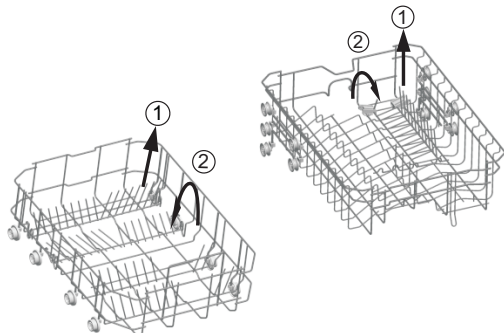
45 cm Geschirrspülmaschine

- E. Dessertschüssel
- H. Suppenteller
- I. Essteller
- J. Dessertteller
- K. Ovaler Teller
- F. Kleinerer Topf
- M. Dessertteller
- N. Melamin-Schüssel

Klappreihen im Ober- und Unterkorb

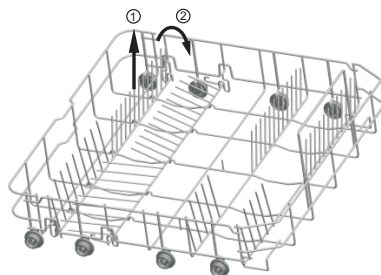
Die Klappreihen setzen sich aus zwei Teilen zusammen. Mit dem Herunterklappen der Klappreihe im Unterkorb (für Geschirrspülmaschinen 60 cm), im Ober- und Unterkorb (für Geschirrspülmaschinen 45 cm) entsteht mehr Platz für größere Töpfe und Pfannen. Falls nötig, kann jeder Teil getrennt heruntergeklappt werden ggf. können beide Teile auf einmal heruntergeklappt werden, wodurch mehr Platz im Unterkorb geschaffen wird.

Oberkorb für Geschirrspülmaschinen 45 cm



Unterkorb für Geschirrspülmaschinen 45 cm

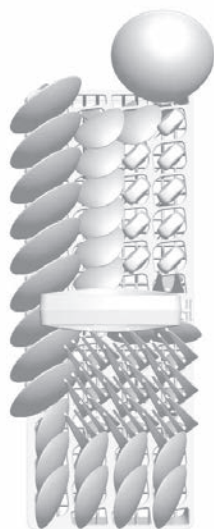
Unterkorb für Geschirrspülmaschinen 60 cm



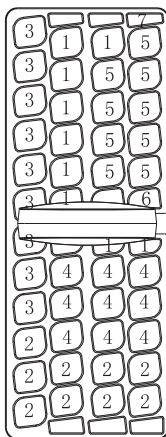
Besteckkorb

Besteck im Besteckkorb gemäß Abbildung ordnen. Besteck so hineinlegen, damit Wasser durchfließen kann.

Besteckkorb für Geschirrspülmaschinen 45 cm

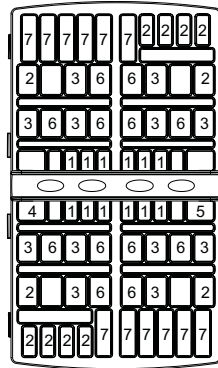
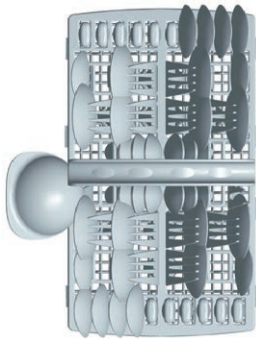


Seite zur Tür



1. Kaffeelöffel
2. Dessertlöffel
3. Suppenlöffel
4. Gabeln
5. Messer
6. Serviergabeln
7. Schöpflöffel

Besteckkorb für Geschirrspülmaschinen 60 cm



Seite zur Tür



1. Kaffeeöffel
2. Dessertlöffel
3. Suppenlöffel
4. Schöpflöffel
5. Serviergabeln
6. Gabeln
7. Messer

Geschirr, das nicht für die Geschirrspülmaschine geeignet ist

Völlig ungeeignet

Besteck mit Griffen aus Holz, Porzellan, Horn oder Perlmutter.

Geschirr aus Kunststoff, der nicht wärmebeständig ist.

Besteck mit geklebten Teilen, die nicht wärmebeständig sind.

Zusammengeklebtes Geschirr und Besteck.

Zinn- und Kupfergegenstände.

Kristallglas.

Gegenstände aus Stahl, die rosten.

Holzbretter.

Gegenstände aus synthetischen Stoffen.

Scharfe Küchenmesser, deren Schneide beim Waschen ihre Eigenschaften verliert.

Nicht zu empfehlen

Einige Glastypen können nach mehrmaligem Waschen matt werden.

Teile aus Silber und Aluminium können verblassen.

Glasierte Muster können durch häufiges Waschen in der Geschirrspülmaschine verblassen.

BEMERKUNG: In die Geschirrspülmaschine gehören keine Gegenstände, die durch Zigarettenasche, Wachs oder Farbe verschmutzt sind. Achten Sie beim Kauf einer neuen Küchenausstattung darauf, damit dieses für die Geschirrspülmaschine geeignet ist.

BEMERKUNG: Geschirrspülmaschine niemals überlasten. Benutzen Sie kein Geschirr, das nicht für die Geschirrspülmaschine geeignet ist. Nur so erzielen Sie gute Ergebnisse und sparen Energie.

Hineinlegen von Geschirr und Besteck

Vor dem Hineinlegen von Geschirr:

- Grobe Speisereste entfernen.
- Angebrannte Speisereste einweichen lassen.

HINWEIS

- Vergewissern Sie sich, dass kein Gegenstand durch den Korbboden hindurchgeht.
- Scharfe Gegenstände müssen mit der Schneide nach unten hineingelegt werden!

Achten Sie beim Hineinlegen von Geschirr und Besteck auf folgendes:

- Die hineingelegten Gegenstände dürfen nicht die Drehbewegung der Sprüharme behindern.
- Hohle Gegenstände wie Tassen, Gläser, Schüssel u. dgl. mit Boden nach oben hineinlegen, damit sich im Inneren kein Wasser ansammelt.
- Geschirr und Besteck darf nicht ineinander gelegt werden oder sich überdecken.
- Gläser dürfen sich nicht gegenseitig, berühren, damit sie nicht beschädigt werden.
- Größere Gegenstände, die schwer zu waschen sind, sollten in den Unterkorb gegeben werden.
- Der Oberkorb ist für zerbrechliche und kleinere Gegenstände wie Gläser oder Tassen bestimmt.

HINWEIS

Messer mit einer langen Klinge, die vertikal gelagert werden, stellen eine mögliche Gefahr dar!

Lange oder scharfe Gegenstände wie Messer zum Portionieren müssen in den Oberkorb waagrecht hineingelegt werden.

Beschädigung von Gläsern und sonstigem Geschirr

Mögliche Ursachen:

- Ungeeigneter Glas- oder Produkttyp. Chemische Zusammensetzung des Waschmittels.
- Ungeeignete Wassertemperatur und Programmlänge.

Empfohlene Lösung:

- Benutzen Sie Geschirr aus Glas oder Porzellan, das laut Hersteller für die Geschirrspülmaschine geeignet ist.
- Benutzen Sie feine Waschmittel, die für den jeweiligen Geschirrtyp geeignet sind. Falls nötig, holen Sie beim Hersteller des Waschmittels weitere Informationen ein.
- Wählen Sie ein Programm mit einer niedrigeren Temperatur aus.
- Glas und Besteck möglichst bald nach dem Waschen aus der Geschirrspülmaschine herausnehmen, um Beschädigung vorzubeugen.

Nach Waschende

Schalten Sie die Geschirrspülmaschine mit der Ein-/Ausschalttaste aus, stoppen die Wasserzufuhr und öffnen die Tür. Warten Sie einige Minuten lang ehe Sie das Geschirr herausnehmen, damit Sie nicht mit heißem Geschirr manipulieren, das zerbrechen könnte. Auf diese Weise kann das Geschirr besser trocknen.

STARTEN DES WASCHPROGRAMMES

Tabelle mit Waschprogrammen

Für Geschirrspülmaschinen 45 cm						
Programm	Informationen bzgl. der Programmwahl	Beschreibung des Programmes	Waschmittel Vorwaschen/ Waschvorgang	Programmlänge (min.)	Energieverbrauch (kWh)	Wasserverbrauch (l)
Intensiv	Für stark verschmutzte Töpfe, Pfannen und Kasserolle sowie Geschirr mit eingetrockneten Speiseresten.	Vorwaschen Waschen (62 °C) Spülen 1 Spülen 2 Spülen mit warmem Wasser Trocknen	3/14 g (oder 3in1)	170	1,20	16,4
Eco (*EN 60436) (kaltes Programm)	Für gewöhnlich verschmutztes Geschirr wie Töpfe, Teller, Gläser und leicht verschmutzte Pfannen. Standard-Tageszyklus.	Vorwaschen Waschen (44 °C) Spülen mit warmem Wasser Trocknen	3/14 g (oder 3in1)	240	0,704	10
90 min	Für sensibleres und äußerst temperaturempfindliches Geschirr. (Sofort nach dem Gebrauch des Geschirrs starten.)	Waschen (60 °C) Spülen Spülen mit warmem Wasser Trocknen	3/12 g	90	0,84	10
30 min	Leicht und normal verschmutzte Gläser, Teller oder Schüsseln, tägliches Waschen.	Vorwaschen Waschen (40 °C) Spülen mit warmem Wasser	10 g	30	0,50	6,8
Abspülen	Spülen von Geschirr, das Sie später waschen möchten.	Vorwaschen	–	13	0,01	3,6

Für Geschirrspülmaschinen 60 cm						
Programm	Informationen bzgl. der Programmwahl	Beschreibung des Programmes	Waschmittel Vorwaschen/ Waschvorgang	Programmlänge (min.)	Energieverbrauch (kWh)	Wasserverbrauch (l)
Intensiv	Für stark verschmutzte Töpfe, Pfannen und Kasserolle sowie Geschirr mit eingetrockneten Speiseresten.	Vorwaschen Waschen (60 °C) Spülen 1 Spülen 2 Spülen mit warmem Wasser Trocknen	4/16 g (oder 3in1)	180	1,30	16
Eco (*EN 60436) (kaltes Programm)	Für gewöhnlich verschmutztes Geschirr wie Töpfe, Teller, Gläser und leicht verschmutzte Pfannen. Standard-Tageszyklus.	Vorwaschen Waschen (44 °C) Spülen mit warmem Wasser Trocknen	4/16 g (oder 3in1)	237	0,922	11

Für Geschirrspülmaschinen 60 cm						
Programm	Informationen bzgl. der Programmwahl	Beschreibung des Programmes	Waschmittel Vorwaschen/ Waschvorgang	Programmlänge (min.)	Energieverbrauch (kWh)	Wasserverbrauch (l)
90 min	Für sensibleres und äußerst temperaturempfindliches Geschirr. (Sofort nach dem Gebrauch des Geschirrs starten.)	Waschen (50 °C) Spülen Spülen mit warmem Wasser Trocknen	3/15 g	90	0,89	14
30 min	Leicht und normal verschmutzte Gläser, Teller oder Schüsseln, tägliches Waschen.	Vorwaschen Waschen (40 °C) Spülen mit warmem Wasser	15 g	30	0,50	7
Abspülen	Spülen von Geschirr, das Sie später waschen möchten.	Vorwaschen	–	11	0,01	4

Die in den Programmen angeführten Angaben, außer des Programmes ECO, sind als unverbindliche Angaben zu verstehen.

- Das Programm ECO ist für normal verschmutztes Geschirr bestimmt. Das effektivste Programm aus Sicht des Strom-Wasser-Verbrauchs. Dieses Programm dient der Bewertung der Einhaltung der EU-Ökodesign-Gesetzgebung.
- Manuelles Waschen von Geschirr vor dem Hineinlegen in den Geschirrspüler erhöht den Wasser- und Stromverbrauch. Wir raten hiervon ab.
- Das Waschen im Geschirrspüler verbraucht in der Regel weniger Strom und Wasser als manuelles Waschen, sofern der Geschirrspüler für den Haushalt gemäß dieser Gebrauchsanleitung benutzt wird. Durch das Befüllen der Haushaltsgeschirrspülmaschine mit der vom Hersteller angegebenen Kapazität trägt sie zur Energieeinsparung und Wassereinsparung bei.

Informationen über den Vergleichstest gemäß EN 60436:

- Kapazität: 12 Sets für Geschirrspülmaschinen 60 cm, 9 Sets für Geschirrspülmaschinen 45 cm
- Position des Oberkorbes: Untere Position
- Einstellung des Vorratsbehälters für Klarspüler: 5 (oder 4 für Vorratsbehälter mit 4 Positionen)

Einschalten des Gerätes

Starten des Waschprogrammes

- Befüllen Sie beide Körbe mit Geschirr und schieben diese wieder ein.
Wir empfehlen zunächst den unteren und erst dann den oberen Korb zu befüllen.
- Geben Sie das Waschmittel hinzu (s. Kapitel bzgl. der Dosierung).
- Schließen Sie das Stromkabel an eine geeignete Steckdose an (s. Typenschild). Überprüfen Sie, ob die Wasserzufuhr offen ist.
- Vergewissern Sie sich, dass sich die Sprüharms ungehindert bewegen können. Schließen Sie die Tür.
- Drücken Sie die Ein-/Ausschalttaste und wählen mit der Programmtaste den gewünschten Waschzyklus aus, siehe Programmtabelle.

Bemerkung:

- Das Schließen der Tür wird durch einen Klickton indiziert. Geschirrspülmaschine nach Ende des Waschvorganges mit der Ein-/Ausschalttaste ausschalten.

Änderung des Programmes

Voraussetzung: Sie können das Programm nach dem Start ändern, falls die Geschirrspülmaschine erst am Anfang des Waschvorganges ist. Anderenfalls könnte das Waschmittel bereits aufgebraucht und das Wasser

abgepumpt sein. Danach muss der Behälter für Waschmittel erneut nachgefüllt werden (s. Kapitel „Dosierung des Waschmittels“).

1. Mit der Ein-/Ausschalttaste beenden Sie das Programm und schalten die Geschirrspülmaschine wieder ein.
2. Jetzt können Sie ein neues Programm auswählen (s. Starten des Waschprogrammes“).

Bemerkung:

- Falls Sie die Tür während des Waschvorganges öffnen, wird der Waschvorgang gestoppt. Anschließend ertönt ein Warnsignal und auf dem Display die Fehlermeldung „E1“ angezeigt. Schließen Sie die Tür, das Waschprogramm wird binnen kurzer Zeit fortgesetzt.

Bemerkung:

- Falls alle Anzeigen blinken bedeutet das, dass die Geschirrspülmaschine außer Betrieb ist. Schalten Sie den Hauptschalter aus, schließen die Wasserzufuhr und rufen den Kundendienst.

Sie haben vergessen ein Geschirrstück hineinzulegen

Vergessenes Geschirr kann nach dem Start der Geschirrspülmaschine hineingelegt werden, solange der Behälter für Waschmittel noch zu ist.

1. Öffnen Sie ein wenig die Tür und warten bis der Waschvorgang stoppt.
2. Sobald die Sprüharme stillstehen, kann die Tür völlig geöffnet werden.
3. Legen Sie das vergessene Geschirrstück hinein.
4. Schließen Sie die Tür. Nach etwa 10 Sekunden wird der Waschvorgang fortgesetzt.

WARNUNG!

- Während des Waschvorganges ist ein Öffnen der Tür gefährlich, da eine Verbrühungsgefahr durch heißes Wasser besteht. Das Waschprogramm wird erst dann beendet, nachdem auf dem digitalen Display „- -“ erscheint und eine akustische Anzeige ertönt (6x). Schalten Sie die Geschirrspülmaschine mit der Ein-/Ausschalttaste aus und schließen die Wasserzufuhr.

Nach Programmende

1. Geschirrspülmaschine mit der Ein-/Ausschalttaste ausschalten.
2. Sperren Sie die Wasserzufuhr.
3. Öffnen Sie vorsichtig die Tür, lassen diese etwas geöffnet und warten einige Minuten lang ehe Sie das Geschirr herausnehmen. Auf diese Weise kann das Geschirr besser abkühlen und trocknen.

Bemerkungen

- Öffnen Sie die Tür vorsichtig, der hinaustretende Dampf ist heiß!
- Warten Sie einige Minuten ehe Sie Geschirr und Besteck aus der Geschirrspülmaschine herausnehmen, das Geschirr ist kurz nach dem Waschen sehr heiß und könnte zerbrechen.

Herausnehmen von Geschirr

- Der Innenraum der Geschirrspülmaschine ist gewöhnlich feucht.
- Leeren Sie zunächst den unteren und erst dann den oberen Korb. Auf diese Weise vermeiden Sie das Abtropfen von Wasser aus dem oberen auf den unteren Korb.

INSTANDHALTUNG UND REINIGUNG

Filtersystem

Der Filter schützt die Pumpe vor dem Eindringen von größeren Speiseresten und sonstigen Objekten. Speisereste können den Filter verstopfen. Aus diesem Grund muss der Filter von Zeit zu Zeit herausgenommen und gereinigt werden.

Das Filtersystem besteht aus einem groben Filter, einem flachen Filter (Hauptfilter) und einem feinen Mikrofilter.

1 Flacher Filter

Nahrungsmittelreste und Unreinheiten werden mit Hilfe einer speziellen Düse am Unterarm in diesen Filter abgeführt.

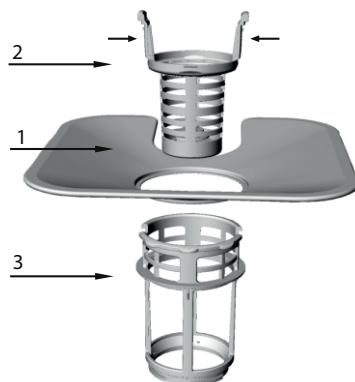
2 Grober Filter

In diesem Filter fangen sich größere Partikel wie Knochen- oder Glasstücke ein, die den Abfall verstopfen könnten. Falls Sie die eingefangenen Partikel aus dem Filter entfernen möchten, drücken Sie etwas auf die Seiten im oberen Teil und nehmen den Filter heraus.

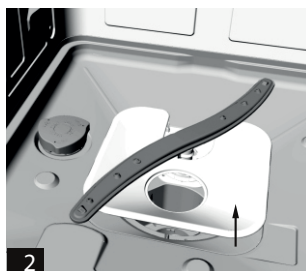
3 Mikrofilter

Dieser Filter fängt im Auffangbehälter Unreinheiten und kleine Nahrungsmittelreste ein und beugt somit erneuten Ablagerungen am Geschirr vor.

- Kontrollieren Sie nach jedem Waschvorgang, ob der Filter nicht verschmutzt ist.
- Nach dem abschrauben des groben Filter kann das ganze Filtersystem herausgenommen werden. Entfernen Sie sämtliche Nahrungsmittelreste und spülen den Filter unter fließendem Wasser ab.



Schritt 1: Drehen Sie den Filter im Uhrzeigersinn und schieben diesen heraus.



Schritt 2: Sie den flachen Filter heraus.

Bemerkung:

- Gehen Sie beim Herausnehmen des Filter von Schritt 1 zu Schritt 2 vor. Beim Hineinlegen des Filters ist eine verkehrte Reihenfolge gefragt (von Schritt 2 zu Schritt 1).

Montage des Filters

Die regelmäßige Reinigung des Filters optimiert die Leistung und das Waschergebnis. Der Filter fängt Partikel aus dem Waschwasser ein und ermöglicht somit eine Wiederverwendung des Wassers während des Waschvorganges. Aus diesem Grund sollten nach jedem Waschzyklus aus dem Filter größere eingefangene Partikel entfernt werden. Wir raten den Filter unter fließendem Wasser zu waschen. Greifen Sie den Filter am Griff und ziehen in vertikaler Richtung hinaus. Der ganze Filter sollte einmal pro Woche gereinigt werden.

Benutzen Sie zur Reinigung des groben und feinen Filters eine Reinigungsbürste. Danach Filter erneut zusammensetzen (s. Bilder oben), das komplette Filtersystem wieder in die Spülmaschine geben und nach unten drücken.

WARNUNG!

- **Die Geschirrspülmaschine kann nicht ohne Filter benutzt werden.** Eine falsche Lagerung des Filters kann die Leistung der Geschirrspülmaschine reduzieren und Geschirr sowie Besteck beschädigen.
- Klopfen Sie niemals auf den Filter. Ein deformierter Filter könnte die Funktionsfähigkeit der Geschirrspülmaschine beeinträchtigen.

Reinigung der Sprüharme

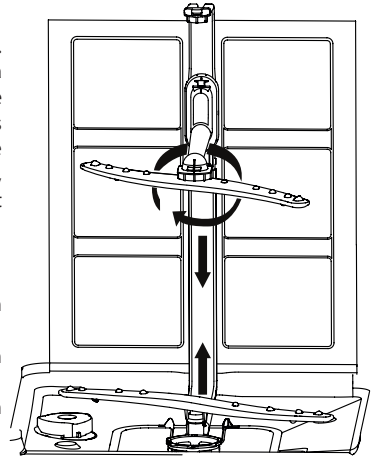
Eine regelmäßige Reinigung der Sprüharme ist sehr wichtig. Hierbei werden Chemikalien aus dem harten Wasser entfernt, da Kalkablagerungen Düsen und Lager verstopfen. Die Sprüharme können nach dem Herausrauben der Mutter am oberen Teil des Arms (im Uhrzeigersinn) herausgenommen werden. Reinigen Sie die Sprüharme mit warmem Seifenwasser. Benutzen Sie eine feine Bürste, um die Düsen zu reinigen. Sobald die Sprüharme eingehend gereinigt wurden, können diese wieder aufgesetzt werden.

Gerätepflege

Reinigen Sie das Bedienpaneel mit einem befeuchteten Tuch. Nach der Reinigung sollte das Bedienpaneel gut getrocknet werden.

Benutzen Sie bei der Wartung der äußeren Teile hochwertigen Polierwachs.

Benutzen Sie zur Reinigung der Geschirrspülmaschine keine scharfen Gegenstände, Schleifpulver oder aggressiven Reinigungsmittel.

**Schutz vor dem Einfrieren**

Falls die Geschirrspülmaschine während des Winters an einem unbeheizten Ort aufbewahrt wurde, sollten Sie folgende Schritte vornehmen:

1. Trennen Sie die Geschirrspülmaschine vom Stromnetz.
2. Sperren Sie die Wasserzufuhr und trennen den Zuleitungsschlauch.
3. Lassen Sie Wasser aus dem Zuleitungsschlauch und aus dem Leitungswasserventil ausfließen. (Benutzen Sie einen Topf, um das Wasser aufzufangen).
4. Schließen Sie den Zuleitungsschlauch erneut an das Leitungswasserventil an.
5. Nehmen Sie aus dem unteren Teil der Geschirrspülmaschine den Behälter mit Filter heraus. Benutzen Sie einen Schwamm, um den Auffangbehälter zu trocknen.

Reinigung der Tür

- Benutzen Sie bei der Reinigung der Türänder ein Tuch mit etwas warmem Wasser. Benutzen Sie keine Reinigungsmittel in Sprühdosen, damit das Wasser nicht in das Türschloss oder in ein Elektroteil gelangt. Benutzen Sie weder abrasive Reinigungsmittel noch Pulver, welche die Oberfläche beschädigen könnten. Auch einige Küchentücher könnten auf der Oberfläche Spuren oder Kratzer hinterlassen.

Wie Sie die Geschirrspülmaschine in einem guten Zustand halten**Nach jedem Waschvorgang**

Sperren Sie nach jedem Waschvorgang die Wasserzufuhr und lassen die Tür ein wenig geöffnet, damit sich im Inneren weder Feuchtigkeit noch Gerüche bilden.

Stromkabel herausziehen

Trennen Sie das Gerät vor jeder Reinigung und Instandhaltung vom Stromnetz. Riskieren Sie niemals.

Benutzen Sie weder Lösungsmittel noch abrasive Reinigungsmittel

Benutzen Sie zur Reinigung der äußeren Teile und Gummiteile keine Lösungsmittel oder abrasive Reinigungsmittel. Benutzen Sie ausschließlich ein Tuch mit etwas warmem Seifenwasser. Flecken und Ablagerungen auf den Innenseiten können mit einem befeuchteten Tuch mit etwas Essiglösung oder mit einem speziellen Waschmittel für Geschirrspülmaschinen entfernt werden.

Urlaub

Falls Sie die Geschirrspülmaschine längere Zeit nicht benutzen werden, starten Sie einen Waschzyklus ohne Geschirr, trennen die Geschirrspülmaschine vom Stromnetz, sperren die Wasserzufuhr und lassen die Tür ein wenig geöffnet. Auf diese Weise beugen Sie unerwünschten Gerüchen vor und schonen die Türöffnung.

Umstellen der Geschirrspülmaschine

Falls die Geschirrspülmaschine woanders aufgestellt werden muss, transportieren Sie diese womöglich

in einer vertikalen Position. Falls nötig, kann die Geschirrspülmaschine auf die Rückseite gelegt werden.

Dichtung

Nahrungsmittelreste, die in der Tür gefangen geblieben sind, können Gerüche im Inneren der Geschirrspülmaschine verursachen. Aus diesem Grund sollte die Dichtung regelmäßig mit einem feuchten Schwamm gereinigt werden.

TIPPS BEI DER PROBLEMBEHEBUNG

Ehe Sie den Kundendienst anrufen

Mit folgenden Empfehlungen (s. Tabelle) können Sie das Problem von alleine beheben. Falls die Probleme andauern, wenden Sie sich an eine autorisierte Kundendienststelle.

Problem	Mögliche Ursache	Abhilfemaßnahme
Geschirrspülmaschine läuft nicht.	Die Sicherung ist durchgebrannt oder ausgeschalteter FI-Schutzschalter.	Sicherung auswechseln oder Schutzschalter einschalten. Alle übrigen Elektrogeräte im jeweiligen Stromkreis trennen.
	Defekte Netzversorgung.	Überprüfen Sie, ob die Geschirrspülmaschine eingeschaltet und die Tür richtig geschlossen ist. Überprüfen Sie, ob der Stecker in die Steckdose gesteckt wurde.
	Niedriger Wasserdruck	Überprüfen Sie, ob die Wasserzufuhr richtig angeschlossen und das Zuleitungsventil geöffnet ist.
Auslasspumpe stoppt nicht	Überlaufen	Das System wurde so konstruiert, um ein mögliches Überlaufen zu detektieren. In einem solchen Fall stoppt die Zirkulationspumpe und die Auslasspumpe beginnt zu arbeiten.
Lärm	Gewisse Geräusche sind während des Waschvorganges normal	Geräusch beim Öffnen des Behälters für Waschmittel.
	Das Geschirr bewegt sich frei in den Körben ungenügend fixiert oder in den Korb ist ein kleinerer Gegenstand hineingefallen	Vergewissern Sie sich, dass sich das Geschirr nicht frei bewegen kann.
	Rauschen des Motors	Die Geschirrspülmaschine wurde nicht regelmäßig benutzt. Falls Sie die Geschirrspülmaschine nur ab und zu benutzen, vergessen Sie nicht jede Woche Wasser ein- und wieder auszulassen, damit die Dichtung nicht austrocknet.
Schaum in der Spülmaschinenwanne	Falsches Waschmittel	Benutzen Sie ausschließlich Waschmittel, die für Geschirrspülmaschinen geeignet sind. Falls Sie Schaum im Geräteinneren feststellen, öffnen Sie die Tür und lassen den Schaum verdampfen. Gießen Sie etwa 4,5 kaltes Wasser in die Wanne. Schließen Sie die Geschirrspülmaschine und starten das Programm "Einweichen", damit das Wasser ausgelassen wird. Falls nötig, Vorgang wiederholen.
	Überlaufen des Klarspülers	Ausgegossener Klarspüler unverzüglich wegwischen.
Verfärbtes Schloss der Wanne	Es wurde ein Reinigungsmittel mit Farbstoff benutzt.	Achten Sie darauf, damit das benutzte Waschmittel keinen Farbstoff enthält.

Problem	Mögliche Ursache	Abhilfemaßnahme
Geschirr und Besteck sind nicht sauber	Sie haben ein falsches Programm ausgewählt	Wählen Sie ein intensiveres Programm aus.
	Geschirr wurde falsch in die Körbe hineingelegt	Vergewissern Sie sich, dass den Behälter für Waschmittel und die Sprüharne kein größeres Geschirr blockiert.
Flecken und Filme auf Gläsern und Besteck	<ol style="list-style-type: none"> 1. Sehr hartes Wasser 2. Niedrige Temperatur des Zuleitungswassers 3. Zu viel Geschirr in der Geschirrspülmaschine 4. Falsch geordnetes Geschirr 5. Altes oder feucht gewordenes Pulver 6. Leerer Vorratsbehälter für Klarspüler 7. Falsche Mengenbestimmung des Waschmittels 	Flecken vom Glas entfernen: <ol style="list-style-type: none"> 1. Metallbesteck herausnehmen 2. Waschmittel nicht nachfüllen 3. Das längste Programm auswählen 4. Geschirrspülmaschine starten und etwa 18 bis 22 Minuten bis zum Hauptwaschvorgang laufen lassen. 5. Tür öffnen und auf den Boden der Geschirrspülmaschine 2 Tassen Weißessig gießen. 6. Tür schließen und Programm zu Ende laufen lassen. Falls Essig nicht hilft: Wiederholen Sie den oben angeführten Vorgang, aber benutzen anstatt von Essig 1/4 Tasse (60 ml) kristallisierter Zitronensäure.
Milchiges Glasgeschirr.	Weiches Wasser zusammen mit zu viel Reinigungsmittel.	Falls Sie weiches Wasser benutzen, verwenden Sie beim Glaswaschen weniger Waschmittel und einen kürzeren Waschprogramm.
Gelber oder brauner Bezug auf den inneren Flächen	Kaffee- oder Teeflecken	Benutzen Sie eine Lösung aus 1/2 Tasse Bleichmittel und 3 Tassen Wasser und entfernen die Flecken manuell. ACHTUNG! Ehe Sie mit der Reinigung der inneren Fläche beginnen, warten Sie nach dem Ende des Waschprogrammes weitere 20 Minuten, bis die Heizkörper abkühlen. Andernfalls droht Verbrennungsgefahr.
	Metallische Ablagerungen im Wasser könnten einen allgegenwärtigen Bezug verursachen	Wenden Sie sich an Ihren Wasserlieferanten mit der Bitte, einen speziellen Filter zu installieren.
Weißer Bezug auf der inneren Oberfläche.	Hartes Wasser mit Mineralien	Benutzen Sie bei der Reinigung des Innenraums einen Schwamm mit etwas Reinigungsmittel, das für Geschirrspülmaschinen bestimmt ist. Benutzen Sie Gummihandschuhe. Benutzen Sie niemals Reinigungsmittel, die nicht für Geschirrspülmaschinen geeignet sind. Nur so bilden Sie Schaumbildung oder Seifenschaum vor.
Der Deckel des Behälters für Waschmittel kann nicht geschlossen werden	Überreste des Reinigungsmittels haben die Sperre des Deckels verstopft	Entfernen Sie sämtliche Überreste von der Sperre.
Im Behälter ist Waschmittel geblieben.	Geschirr blockierte den Behälter.	Ändern Sie die Anordnung des Geschirrs.
Dampf	Diese Erscheinung ist normal	Beim Trocknen und dem Auslassen von Wasser entkommt Dampf aus den Belüftungsöffnungen der Tür.
Schwarze oder graue Flecken auf dem Geschirr.	Aluminiumbesteck hat sich am Geschirr abgerieben.	Benutzen Sie zum Entfernen dieser Flecken ein feines abrasives Reinigungsmittel.
Am Boden ist Wasser geblieben	Diese Erscheinung ist normal	Etwas klares Wasser rund um den Auslauf beugt dem Austrocknen der Dichtung vor.

Problem	Mögliche Ursache	Abhilfemaßnahme
Aus der Geschirrspülmaschine entkommt Wasser	Überfüllter Vorratsbehälter oder ausgegossener Klarspüler	Achten Sie darauf, damit Sie den Vorratsbehälter für Klarspüler nicht überfüllen. Vergossener Klarspüler könnte zur Schaumbildung und somit zum Überlaufen führen. Vergossenen Klarspüler mit einem feuchten Tuch abwischen.
	Die Geschirrspülmaschine befindet sich nicht in einer waagerechten Position	Stellen Sie die Geschirrspülmaschine in eine waagerechte Position.

Sollten die oben angeführten Hinweise nicht das Problem beheben können, wenden Sie sich an Ihren Händler oder eine autorisierte Kundendienststelle. Unsachgemäße Eingriffe in das Gerät könnten gefährliche Situationen hervorrufen und zum Erlöschen der Garantie führen. Den Kontakt an die autorisierte Kundendienststelle ist dem beigelegten Garantieschein zu entnehmen.

Fehlercodes

Im Falle einer Störung zeigt die Geschirrspülmaschine via LED-Anzeige (Bedienfeld) den Code des jeweiligen Fehlers an.

Code	Bedeutung	Mögliche Ursache
E1	Offene Tür	Offene Tür während des Waschvorganges
E2	Wasserzufuhr	Fehler an der Wasserzufuhr
E3	Wasserablauf	Fehler beim Wasserabpumpen
E4	Temperatursensor	Fehler am Temperatursensor
E5	Überlaufen/Entkommen von Wasser	Überlaufen/Entkommen von Wasser
E6	Entkommen von Wasser	Wasser ist entkommen
E7	Heizkörper	Fehler beim Erwärmen

HINWEIS

- Lassen Sie sämtliche Reparaturen, Einstellungen und das Auswechseln des Stromkabels durch einen autorisierten Kundendienst vornehmen! Andernfalls könnte es zu einem Unfall oder dem Verlust des Garantieanspruchs kommen.
- Einzelne Servicestellen sind dem beigelegtem Garantieschein oder der Website www.ecg-electro.eu zu entnehmen.
- Die in der Verordnung EU 2019/2022 angeführten Ersatzteile, stehen für 10 Jahre zur Verfügung.
- In die Produktdatenbank, die Informationen über das jeweilige Produkt gemäß EU 2019/2017 enthält, gelangen Sie nach dem Einlesen des QR-Codes am Energielabel.
- Falls Wasser entkommt, sperren Sie das Zuleitungsventil und wenden sich an eine autorisierte Kundendienststelle. Falls Sie auf dem Boden des Waschbereiches Wasser feststellen, was auf ein Überlaufen oder Entkommen von Wasser zurückzuführen ist, entfernen Sie dieses vor der nächsten Inbetriebnahme der Geschirrspülmaschine.

Bemerkung:

Das Gerät erfüllt sämtliche europäische Normen und Vorschriften in gültiger Fassung:

- LVD – EU Richtlinie 2014/35/EU
- EMC – EU Richtlinie 2014/30/EU
- EUP 2019/2022

Die angeführten Werte wurden unter spezifischen Arbeitsbedingungen im Einklang mit den zuständigen Normen gemessen. Die Ergebnisse können in Abhängigkeit von Geschirrmenge, Verschmutzungsgrad, Wasserhärte, Waschmittelmenge u.ä. variieren.

Diese Gebrauchsanweisung wurde gemäß den Normen und Vorschriften der EU ausgearbeitet.

TECHNISCHE ANGABEN

	EDF 4527 QWE	EDF 4525 QWE	EDF 4535 QWE	EDF 6027 QWE
Höhe (cm)	84,5	84,5	84,5	84,5
Breite	44,8	44,8	44,8	60
Tiefe (samt Anschluss)	60	60	60	60
Anschlusswert	1850 W	1850 W	1850 W	1850 W
Nennspannung/Frequenz	220–240 Vac / 50 Hz	220–240 Vac / 50 Hz	220–240 Vac / 50 Hz	220–240 Vac / 50 Hz
Wasserdruck (hydrodynamischer Druck)	0,4–10,0 bar = 0,04–1,0 MPa	0,4–10,0 bar = 0,04–1,0 MPa	0,4–10,0 bar = 0,04–1,0 MPa	0,4–10,0 bar = 0,04–1,0 MPa

ENTSORGUNG

Entfernen Sie das Verpackungsmaterial.

Das Verpackungsmaterial kann wiederverwertet werden.

Teile aus Kunststoff sind mit internationalen Abkürzungen gekennzeichnet:

- PE.....Polyethylen, z.B. Verpackungsfolie
- PS.....Polystyrol, z.B. Ausfüllmaterial
- POM.....Polyoxymethylen, z.B. Kunststoffklemmen
- PP.....Polypropylen
- ABS.....Acrylnitril-Butadien-Styrol-Copolymer, z.B. Bedienpaneel

HINWEIS

- Das Verpackungsmaterial könnte gefährlich für Kinder sein!
- Unbrauchbares Verpackungsmaterial an einer Sammelstelle angeben. Entwerfen Sie das Gerät, indem Sie die Tür entfernen und das Stromkabel abschneiden.
- Kartonschachteln wurden aus wiederverwertbaren Papier hergestellt und gehören somit in Container für Sammelabfall.
- Mit einer ordnungsmäßigen Entsorgung des Gerätes schonen Sie die Umwelt sowie menschliche Gesundheit, die im Falle einer falschen Manipulation mit dem ausgedienten Produkt gefährdet sein könnte.
- Mehr Informationen über die Wiederverwertung dieses Produktes erhalten Sie von lokalen Behörden oder an einer Sammelstelle.

ENTSORGUNG: Das Produkt darf nicht als Haushaltsmüll entsorgt werden. Einzelne Teile sind jeweils nach Materialtyp zu sortieren und zwecks Wiederverwertung separat zu entsorgen.

VERWERTUNG UND ENTSORGUNG VON ABFALL

Verpackungspapier und Wellenpappe an einer Sammelstelle abgeben. Verpackungsfolie, PET-Beutel und Kunststoffteile gehören in Sammelcontainer für Kunststoff.

ENTSORGUNG DES PRODUKTES NACH ABLAUF DER LEBENSDAUER

Entsorgung von gebrauchten elektrischen und elektronischen Geräten (gültig in den Mitgliedsländern der EU und anderen europäischen Ländern, in denen das Abfalltrennungssystem eingeführt ist)

Das abgebildete Symbol auf dem Produkt oder auf der Verpackung weist darauf hin, dass das Produkt nicht in den Hausmüll gehört. Das Produkt sollte an einem Ort abgegeben werden, der für die Wiederverwertung von elektrischen und elektronischen Geräten bestimmt ist. Eine richtige Entsorgung des Produktes beugt negativen Einflüssen auf die menschliche Gesundheit und die Umwelt vor. Die Wiederverwertung trägt zum Schutz der Naturressourcen bei. Weitere Informationen über die Wiederverwertung des Produktes erhalten Sie über das Gemeindeamt, eine Organisation, die sich mit der Behandlung von Hausmüll befasst, oder die Verkaufsstelle, an der das Produkt erworben wurde.



08/05

Dieses Produkt erfüllt sämtliche Anforderungen der EU-Richtlinien über die elektromagnetische Kompatibilität und elektrische Sicherheit. Dieses Produkt erfüllt sämtliche Anforderungen bezüglich der Problematik von Schwermetallen, die in Elektrogeräten enthalten sind.



Die Bedienungsanleitung ist der Website www.ecg-electro.euzu entnehmen. Änderungen des Textes und der technischen Parameter sind vorbehalten.

BEZPEČNOSTNÍ POKYNY

Čtěte pozorně a uschovejte pro budoucí potřebu!

Varování: Bezpečnostní opatření a pokyny uvedené v tomto návodu nezahrnují všechny možné podmínky a situace, ke kterým může dojít. Uživatel musí pochopit, že faktorem, který nelze zabudovat do žádného z výrobků, je zdravý rozum, opatrnost a péče. Tyto faktory tedy musí být zajištěny uživatelem/uživateli používajícími a obsluhujícími toto zařízení. Neodpovídáme za škody způsobené během přepravy, nesprávným používáním, kolísáním napětí nebo změnou či úpravou jakékoliv části zařízení.

Aby nedošlo ke vzniku požáru nebo k úrazu elektrickým proudem, měla by být při používání elektrických zařízení vždy dodržována základní opatření, včetně níže uvedených opatření:

- Dvířka a koše na nádobí neotevírejte násilím, nesedejte si na dvířka ani na ně nestoupejte.
- Po skončení mytí se nedotýkejte topného tělesa.
- Nespouštějte myčku, dokud není řádně usazena. Pokud je myčka v provozu, otevírejte dvířka velmi opatrně, protože hrozí nebezpečí opaření.
- Na otevřená dvířka nepokládejte žádné těžké předměty, myčka by se mohla překlomit.
- Při vkládání nádobí k mytí:
 1. Předměty s ostrými hranami umístěte tak, aby nepoškodily těsnění dvířek.
 2. Pozor: Nože a podobné ostré předměty se musí do košů ukládat ve vodorovné poloze nebo ostřím dolů.
- Při použití myčky dbejte na to, aby se plastové předměty nemohly dostat do přímého kontaktu s topnými tělesy.
- Po skončení mycího cyklu zkontrolujte, zda je dávkovač mycího prostředku prázdný.
- V myčce nemyjte plastové nádobí, které není označeno jako vhodné pro mytí v myčce.
- Používejte výhradně mycí prostředky a leštidla určená pro myčky.

- Používejte pouze mycí prostředky a leštidla určená pro automatické myčky. Nikdy nepoužívejte mýdla, prací prášky nebo saponáty pro ruční mytí.
- Chraňte přístroj před dětmi.
- Zabraňte dětem, aby se dostaly do styku s mycím prostředkem. Nedovoďte jim přiblížit se k otevřeným dvířkům, uvnitř mohou být stále zbytky mycích prostředků.
- Příklad není určen pro osoby s omezenými fyzickými, smyslovými nebo mentálními schopnostmi (včetně dětí) nebo nedostatkem zkušeností a znalostí, pokud nejsou pod dozorem nebo je s použitím přístroje neseznámila osoba zodpovědná za jejich bezpečí.
- Děti by měly být pod dozorem, aby si s přístrojem nehrály.
- Mycí prostředky jsou silně zásadité a při polknutí mohou být mimořádně nebezpečné! Zabraňte kontaktu s kůží a očima. Pokud jsou dvířka otevřená, nedovoďte dětem, aby se k myčce přibližovaly.
- Nenechávejte dvířka otevřená, lze o ně snadno zakopnout.
- Pokud se poškodí napájecí kabel, smí jej nahradit pouze výrobce, servisní pracovník nebo jiná kvalifikovaná osoba, aby se předešlo nebezpečí úrazu elektrickým proudem.
- Zajistěte ekologickou likvidaci obalového materiálu.
- Myčku používejte výhradně k účelu, k němuž byla navržena.
- Napájecí kabel nesmí být při instalaci natažen, zohýbán ani zatížen. Před zapojením se nedotýkejte ovládacích prvků.
- Při instalaci připojte k přístroji novou sadu hadic, staré hadice by se již neměly znovu používat.
- Pokud jsou ve spodní části spotřebiče větrací otvory, nesmějí se tyto zakrýt kobercem.
- Spotřebič je určen pro domácí použití. V případě komerčního použití pozbývá záruka platnosti.

UZEMNĚNÍ SPOTŘEBIČE

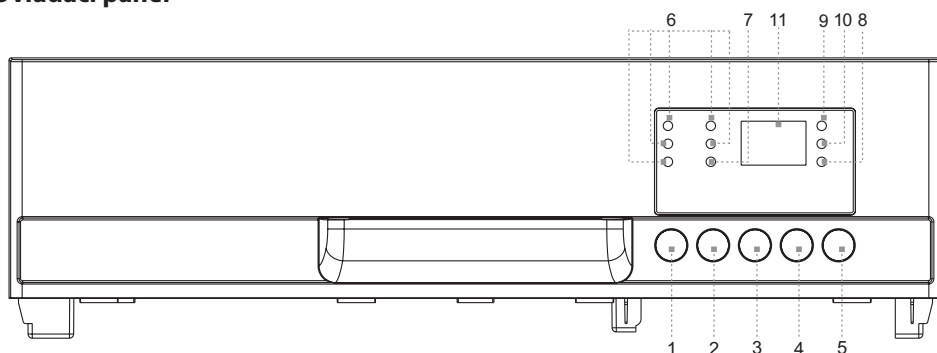
- Tento spotřebič musí být uzemněn. V případě poruchy nebo havárie snižuje uzemnění riziko úrazu elektrickým proudem. Příklad je vybaven třížilovým napájecím kabelem opatřeným vidlicí se zemnicím

kontaktem. V souladu s místně platnými předpisy a vyhláškami musí být napájecí kabel připojen do řádně uzemněné síťové zásuvky. Nesprávné připojení zemnicího vodiče může zvýšit riziko úrazu elektrickým proudem.

- Pokud nejste přesvědčení o správném uzemnění přístroje, obraťte se na kvalifikovaného technika. Pokud vidlice napájecího kabelu přístroje neodpovídá vaší zásuvce, požádejte kvalifikovaného technika o její výměnu.

POPIS

Ovládací panel

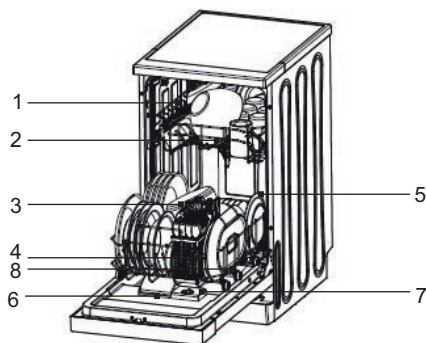


1. **Vypínač:** Zapnutí a vypnutí spotřebiče.
2. **Tlačítka výběru programu:** Opakovaným stiskem tlačítka zvolíte požadovaný mycí program. Vybraný mycí program je signalizován rozsvícením patřičné kontrolky.
3. **Tlačítko poloviční náplně/Dry+*:** Stiskem tohoto tlačítka můžete zvolit doplňková funkce: poloviční náplň, sušení extra, popř. obě funkce najednou.
4. **Tlačítko odloženého startu/dětská pojistka:** Stiskem tohoto tlačítka můžete odložit start programu až o 24 hodin. Dětskou pojistku můžete aktivovat stiskem tohoto tlačítka po dobu nejméně 3 sekundy, na displeji 6x zabliká nápis „LO“.
5. **Tlačítko START/PAUZA:** Stiskem tlačítka spustíte nebo přerušíte mytí.
6. **Indikátory vybraného programu:** Zvolený program je indikován svitem příslušné kontrolky.
7. **Kontrolka poloviční náplně:** Tato kontrolka svítí, je-li aktivována doplňková funkce „Poloviční náplň“.
8. **Kontrolka Dry+:** Tato kontrolka svítí, je-li aktivována doplňková funkce „Dry+“.
9. **Kontrolka doplnění leštidla:** Rozsvítí se, když je třeba doplnit dávkovač.
10. **Kontrolka doplnění soli:** Rozsvítí se, když je třeba doplnit zásobník soli.
11. **Digitální displej:** Zobrazuje zbývající čas programu, chybové kódy a odpočet odloženého startu.

* **Dry+:** zvolením této přídatné funkce bude po ukončení programu prodloužen čas sušení o dalších 5 min pro dosažení lepšího výsledku sušení.

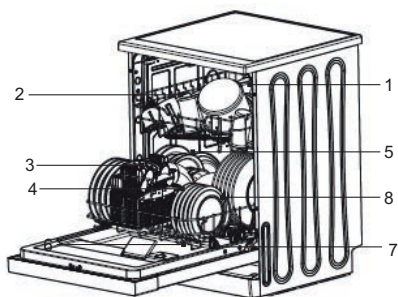
Vnitřek myčky

Myčky 45 cm



1. Horní koš
2. Ostřikovací ramena
3. Spodní koš
4. Zásobník na sůl

Myčky 60 cm



5. Příhrádka na příbory
6. Dávkovač mycího prostředku
7. Dávkovač leštidla
8. Filtr

POKYNY K INSTALACI

VAROVÁNÍ!

- Připojení myčky k elektrickému napájení a přívodu vody svěřte kvalifikovaným profesionálům.
- Spotřebič nesmí stát na přívodní nebo odpadní hadici, ani na elektrickém napájecím kabelu.
- Myčka musí být připojena ke zdroji vody novou sadou hadic. Starou přívodní hadici nepoužívejte.

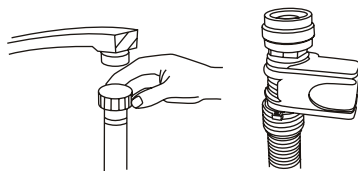
Umístění myčky

- Před instalací vybalte myčku a zbavte ji všech obalů podle pokynů na obalu a zkontrolujte, zda během přepravy nedošlo k poškození. Zjistíte-li jakékoli poškození, přerušte instalaci a neprodleně kontaktujte prodejce.
- Při výběru místa pro myčku dbejte, aby bylo možné lehce vkládat a vyndávat nádoby.
- Myčku umístěte do blízkosti přívodu vody a odpadu.
- Přívodní a odpadní hadici myčky lze pro usnadnění instalace umístit z levé i pravé strany.
- Při přemísťování nezvedejte myčku za dvířka ani za přední panel.
- Myčku lze také zasunout pod kuchyňskou pracovní desku. Dejte pozor, aby při zasunutí myčky na místo nedošlo k přiskřípnutí přívodu vody a odpadu. Zajistěte, aby myčka nestála na elektrickém přívodu.
- Myčku postavte na rovnou tvrdou podlahu. Pomocí předních stavitelných nožek srovnajte myčku do vodorovné polohy. Náklon myčky by neměl přesáhnout 2°. Vodorovná poloha zajistí vyšší stabilitu, zamezí pohybům myčky a omezí vibrace a hlučnost. Správné ustavení myčky také usnadní otevírání a zavírání dvířek.
- Pokud se dvířka myčky správně nezavírají, zkontrolujte, zda myčka stojí stabilně a vodorovně a v případě potřeby proveďte vyrovnání pomocí stavitelných nožek.

Poznámka: Maximální výška stavitelných nožek je 20 mm.

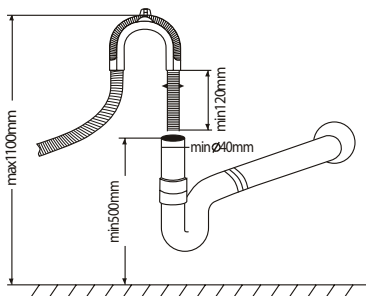
Připojení hadice přívodu vody

1. Tlak vody musí být v rozmezí 0,04 až 1,0 MPa. Pokud je tlak vody nižší, obraťte se na svého technika.
2. Zajistěte, aby nebyla přívodní hadice ohnutá nebo zkroucená.
3. Pokud jsou vodovodní trubky nové nebo nebyly dlouho používány, nechte napřed odtéct dostatečné množství vody, dokud nevytéká zcela čistá voda.
4. Nasadte koncovku hadice na přívod vody se závitem 3/4 palce a utáhněte šroubení.
5. Zkontrolujte těsnost spojení.
6. Před použitím myčky zcela otevřete kohout přívodu.



Připojení odpadní hadice

Odpadní hadici připojte k odpadnímu potrubí a zajistěte, aby se hadice neohýbala ani nelámala. Pokud je délka odpadní hadice nedostatečná, obraťte se na autorizovaný servis s žádostí o delší hadici ze stejného materiálu. Mějte na paměti, že hadice nesmí být ani s prodloužením delší než 4 metry. Delší odpadní hadice by znemožnila správnou funkci myčky. Hadici pevně připevněte k odpadnímu potrubí, aby se během činnosti myčky nemohla uvolnit.



Připojení k sifonu dřezu

Připojení odpadu musí být umístěno ve výšce mezi 50 cm (minimum) a 100 cm (maximum) nad dnem myčky. Odpadní hadice by měla být přichycena svorkou. Volný konec hadice nesmí být ponořen ve vodě.

Zapojení do sítě

Před zapojením vidlice napájecí šňůry do elektrické zásuvky zkontrolujte následující:

- Zásuvka je uzemněná a vyhovuje platným normám.
- Zásuvka je vhodná pro maximální příkon spotřebiče, který je uveden na typovém štítku na vnitřní straně dvířek.
- Napětí v zásuvce odpovídá údajům na typovém štítku spotřebiče.
- Typ zásuvky je shodný s typem vidlice napájecí šňůry spotřebiče. V opačném případě požádejte autorizovaného technika o výměnu nevhodné zásuvky. K připojení myčky nepoužívejte prodlužovací kabely nebo rozdvojky.

Spuštění myčky

Před spuštěním myčky je potřeba zkontrolovat následující položky.

1. Myčka stojí rovně a pevně.
2. Přívodní ventil je otevřen.
3. Ze spojů hadic neuniká voda.
4. Napájecí kabel je řádně připojen.
5. Zásuvka je zapnutá.
6. Nejsou skřípnuté nebo zamotané přívodní a odpadní hadice.
7. Z myčky je odstraněn veškerý obalový materiál a nálepky.

UPOZORNĚNÍ

- Po provedení instalace si uschovejte návod k použití.
- Obsah návodu poskytuje uživateli důležité informace.

POKYNY K POUŽÍVÁNÍ

Před prvním použitím

Před prvním uvedením do provozu:

1. Nastavte tvrdost vody viz kapitola níže.
2. Nalijte do zásobníku soli 500ml vody a doplňte jej solí do myčky.
3. Naplňte dávkovač leštidlem.
4. Naplňte dávkovač mycím prostředkem

Nastavení spotřeby soli

Myčka umožňuje regulovat spotřebu soli v závislosti na tvrdosti používané vody. Tak lze míru spotřeby soli optimalizovat a regulovat. Při regulaci spotřeby soli postupujte následujícím způsobem:

Dávkovač soli lze nastavit v rozsahu H0 až H7, při nastavení H0 není sůl dávkována.

Zjistěte tvrdost své vody (tuto informaci můžete získat od svého dodavatele vody) a nastavte hodnotu dávkování podle tabulky tvrdosti vody:

1. Zavřete dvířka.
2. Zapněte myčku vypínačem „Power“.
3. Podržte tlačítko „Delay“ a poté stiskněte na 5 vteřin tlačítko „Program“. Ozve se zvukový signál a na displeji se rozblíká H.. (z výroby je nastaveno H4).
4. Stiskem tlačítka „Delay“ můžete nastavení změnit. S každým stiskem tlačítka „Delay“ se hodnota dávkování zvýší o 1 stupeň. Po dosažení hodnoty H7 přeskočí s dalším stiskem tlačítka „Delay“ na hodnotu H0 (dávkování vypnuté).
5. Stiskněte tlačítko „Program“. Nastavení je uloženo do paměti spotřebiče.

Tabulka tvrdosti vody

Tvrdost vody		mmol/l	Nastavená hodnota
°Clark	Tvrdost		
0–8	měkká	0–1.1	H0
9–10	měkká	1.2–1.4	H1
11–12	střední	1.5–1.8	H2
13–15	střední	1.9–2.1	H3
16–20	střední	2.2–2.9	H4
21–26	tvrdá	3.0–3.7	H5
27–38	tvrdá	3.8–5.4	H6
39–62	tvrdá	5.5–8.9	H7

Poznámka:

- Tvrdost vody se může v každé oblasti lišit.
- Pokud se používá tvrdá voda, budou se na nádobí a příborech tvořit usazeniny.
- Spotřebič je vybaven speciálním změkčovačem vody používajícím dávkovač soli navržený tak, aby z vody odstraňoval vápník a další minerály.

Přidávání soli do zásobníku

Zásobník soli je umístěn pod spodním košem. Jeho plnění provádějte podle následujícího popisu:

- Používejte výhradně sůl určenou pro myčky! Jiné typy soli, které nejsou určeny pro myčky, jako například kuchyňská sůl, může myčku poškodit. V případě poškození způsobeného použitím nevhodné soli výrobce neposkytuje záruku a není odpovědný za vzniklé škody.

- Doplňujte sůl pouze před spuštěním některého kompletního mycího programu. Zabráníte tak korozi v důsledku ponechání krystalů soli nebo přeteklého roztoku na dně myčky.



- Vyjměte spodní koš a potom odšroubujte a vyjměte víko zásobníku soli **1**.
- Pokud plníte zásobník poprvé, naplňte jej do 2/3 objemu vodou (cca 500 ml) **2**.
- Do otvoru v zásobníku vložte trychtýř (není součástí balení) a nasypejte do něj cca 2 kg soli (pro myčky 60 cm), 1,2 kg soli (pro myčky 45 cm). Malé množství vody obvykle ze zásobníku přeteče ven.
- Po naplnění zásobníku řádně zašroubujte víko zpět.
- Obvykle během 2–6 dní po naplnění zásobníku solí přestane svítit kontrolka soli.

Poznámka:

- Sůl je třeba doplnit v okamžiku, kdy se na ovládacím panelu rozsvítí kontrolka soli. Než se sůl plně rozpustí, může kontrolka soli svítit i poté, co byla sůl doplněna.
- Pokud dojde k rozsypání soli v okolí zásobníku, spusťte program namáčení/oplachování, kterým se sůl odstraní.

Naplnění dávkovače leštidlem

Funkce leštidla

Leštadlo se automaticky dávkuje při závěrečném leštícím procesu a zabraňuje vytváření skvrn a šmouh během sušení.

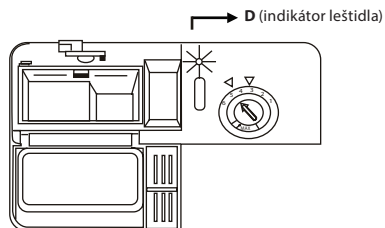
UPOZORNĚNÍ

Do myčky používejte výhradně značková leštidla. Dávkovače leštidla nikdy neplňte jinými látkami (např. čisticím do myček, tekutým saponátem). Mohlo by dojít k poškození myčky.

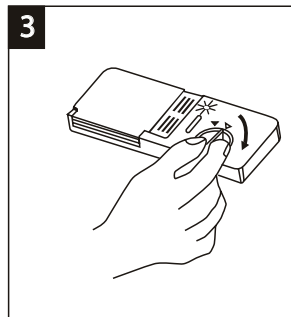
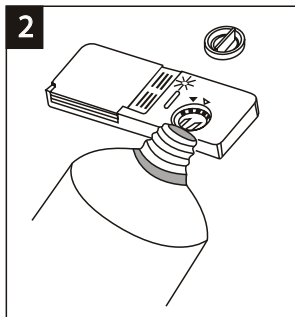
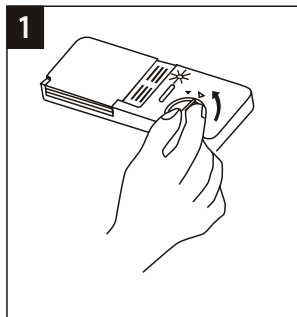
Kdy doplnit dávkovač leštidla

S úbytkem obsahu leštidla se rozsah tmavé části indikátoru mění, jak je znázorněno na obrázku.

- Plný
- 3/4 obsahu
- 1/2 obsahu
- 1/4 obsahu – potřeba doplnit, aby se netvořily skvrny.
- Prázdný



DÁVKOVAČ LEŠTIDLA



1. Dávkovač otevřete otočením víčka k šipce „open“ (doleva) a víčko vyjměte.
2. Opatrně dolévejte do dávkovače leštidlo tak, aby nepřeteklo.
3. Vložte víčko zpět tak, aby lícovalo s šipkou „open“, a zavřete jej otočením doprava směrem ke „closed“.

Leštidlo se uvolňuje v závěrečné fázi programu při leštění. To zabraňuje, aby se na nádobí vytvářely kapky, které by na něm mohly zanechat skvrny a šmouhy. Také urychluje sušení a odkapávání vody z nádobí.

Ve vaší myčce se používá tekuté leštidlo. Dávkovač leštidla je umístěn ve dvířkách vedle dávkovače mycího prostředku. Při plnění dávkovače odejměte víko a vlévejte do něj leštidlo, dokud indikátor leštidla zcela neztmavne. Objem zásobníku leštidla je asi 140 ml.

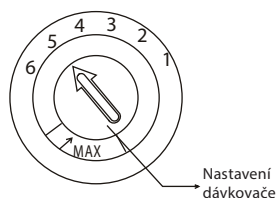
Dbejte na to, aby nedošlo k přeplnění dávkovače, zbytky leštidla způsobují pění. Uniklé zbytky otřete hadrem. Před zavřením dvířek nezapomeňte vrátit zpět víčko dávkovače.

UPOZORNĚNÍ

Leštidlo, které při plnění přeteklo, vytřete savým hadříkem, zabráníte tak nadměrnému pění při dalším mytí.

Nastavení dávkovače leštidla

Dávkovač leštidla umožňuje šest poloh nastavení. Při prvním mytí nastavte ovladač do polohy „4“. Pokud nastanou obtíže se špatným sušením a skvrnami, zvýšte dávkování leštidla tak, že odejmete víko dávkovače a ovladač nastavíte do polohy „5“. Pokud se nádobí stále špatně suší a jsou na něm patrné skvrny, nastavte ovladač na další vyšší hodnotu, dokud se skvrny nepřestanou tvořit. Z výroby je dávkování nastaveno na hodnotu 5.



Poznámka:

- Pokud jsou po skončení mytí na nádobí kapky vody nebo vápnité skvrny, zvýšte dávkování leštidla. Pokud se na nádobí objeví bělavé lepivé skvrny nebo na nožích a sklu modravý potah, snižte dávkování leštidla.

Funkce mycího prostředku

Mycí prostředek obsahuje chemické látky nezbytné k rozpuštění a odstranění nečistot z nádobí a jejich vyplavení z myčky. Pro tyto účely je vhodná většina kvalitních běžně dostupných mycích prostředků.

Koncentrovaný mycí prostředek

Podle svého chemického složení lze mycí prostředky rozdělit do dvou základních skupin:

- Běžné zásadité prostředky s žíravými složkami
- Slabě zásadité koncentrované prostředky s přirozenými enzymy

Použití mycího programu „Eco“ ve spojení s koncentrovaným prostředkem snižuje znečištění životního prostředí a je optimální pro vaše nádobí. Tyto mycí programy jsou speciálně přizpůsobeny schopnostem enzymů rozpouštět nečistoty. Z tohoto důvodu může „Eco“ mycí program s použitím koncentrovaného

prostředku dosáhnout stejných výsledků, jakých by jinak bylo možné dosáhnout pouze s použitím „intenzivního“ programu.

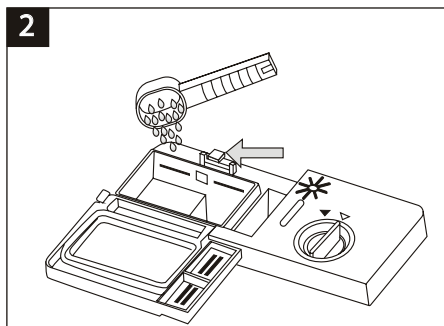
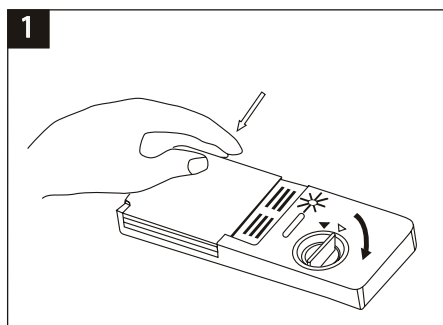
Mycí prostředek v tabletách

Mycí prostředky v tabletách různých značek se rozpouštějí různě rychle. Z toho důvodu se některé tablety během krátkých programů zcela nerozpustí a neuvolní ze sebe všechny čisticí látky. Mycí prostředky v tabletách proto používejte jen při dlouhých programech, aby se z nich všechny látky zcela vyplavily.

Dávkovač mycího prostředku

Mycí prostředek se musí doplnit před každým mytím podle pokynů uvedených v tabulce programů. Tato myčka má nižší spotřebu mycích prostředků a leštidla než běžné myčky. Běžná dávka mycího prostředku je pouhá jedna lžička na jedno umytí normálního množství nádobí. Více znečištěné nádobí vyžaduje vyšší dávku mycího prostředku. Mycí prostředek přidávejte vždy těsně před spuštěním myčky, jinak by mohl zvlhnout a špatně se rozpouštět.

Použití množství mycího prostředku



Poznámka:

- Pokud je víko zavřeno: zatlačte na otevírací tlačítko. Víko se otevře.
- Prostředek doplňte těsně před mytím. Používejte pouze značkové mycí prostředky určené pro myčky.

UPOZORNĚNÍ

Mycí prostředky jsou agresivní látky! Pečlivě uložte mimo dosah dětí.

Správné používání mycího prostředku

Používejte výhradně mycí prostředky určené pro myčky. Mycí prostředky ukládejte na suché a čisté místo. Práškové mycí prostředky sypte do dávkovače až těsně před mytím nádobí.

Dávkování mycího prostředku

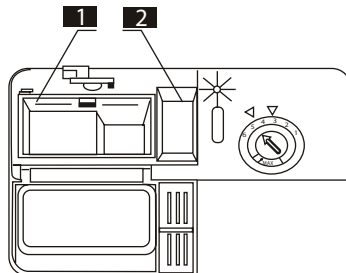
Naplňte dávkovač mycím prostředkem. Značky indikují velikost dávky, viz obrázek:

- 1** Prostor pro dávku hlavního mycího cyklu. Hodnota „MIN“ představuje cca 20 g prostředku.
- 2** Prostor pro dávku předmycího cyklu, cca 5 g prostředku.

Při dávkování a skladování mycích prostředků dbejte pokynů výrobce, uvedených na obalu.

Zatlačte víko, dokud zcela nezapadne.

Pokud je nádobí silně znečištěné, naplňte mycím prostředkem také přihrádku předmycího cyklu. Prostředek tak začne působit již během předumývání.



Poznámka:

- V tabulce programů najdete informace o dávkování mycího prostředku pro jednotlivé programy. Uvědomte si prosím, že vzhledem k míře znečištění nádobí a tvrdosti vody mohou nastat jisté rozdíly.
- Přečtěte si doporučení výrobce, uvedená na obalu mycího prostředku.

Mycí prostředky

Rozlišují se tři druhy mycích prostředků

1. S fosfáty a chlórem
2. S fosfáty bez chlóru
3. Bez fosfátů a chlóru

Nové práškové mycí prostředky obvykle neobsahují fosfáty. Z toho důvodu nedochází k měkčení vody působením fosfátů. V takovém případě doporučujeme naplnit zásobník soli, i když je tvrdost vody pouhých 6°dH. Při použití bezfosfátových prostředků a tvrdé vody se na nádobí a na skle často objevují bílé skvrny. V takovém případě dosáhnete lepších výsledků přidáním většího množství mycího prostředku. Mycí prostředky bez chlóru méně bělí. Tmavé a barevné skvrny se nemusí odstranit úplně. V takovém případě spusťte program s vyšší pracovní teplotou.

Funkce Poloviční náplň

1. Poloviční náplň je doplňková funkce myčky, umožňuje plnohodnotné mytí poloviční náplně nádobí.
2. Při zapnutí funkce Poloviční náplň můžete využít běžné programy mytí: Intenzivní, Úsporný (ECO), 90 min. a 30 min. a Opláchnutí. Předoplach nelze při zapnutí funkce Poloviční náplň využít.
3. Při zapnutí funkce „Poloviční náplň“ dojde k úpravě tlaku vody při mytí nádobí a změnám v časových intervalech u jednotlivých kroků mytí. Celkový čas mytí se zkrátí.

Použití tablet „3 v 1“**Obecná doporučení**

Tyto produkty jsou mycí prostředky s integrovaným leštidlem a změkčovadlem (solí).

1. Před použitím těchto produktů byste měli nejprve ověřit, že tvrdost vaší vody umožňuje použití těchto tablet (viz doporučení výrobce na obalu produktu).
2. Tyto prostředky by měly být použity přesně podle doporučení výrobce prostředku.
3. Pokud se při prvním použití produktu „3 v 1“ setkáte s problémy, obraťte se prosím na linku zákaznické podpory výrobce.

Speciální doporučení

- Při použití kombinovaných produktů nejsou leštidlo a změkčovací sůl účinné. Může být užitečné zvolit nejnižší možné nastavení tvrdosti vody.

Plnění košů myčky

Nejllepších výsledků mytí dosáhnete tehdy, když se budete řídit následujícími pokyny. Funkce a vzhled košů na nádobí a příbory se mohou lišit podle modelu myčky. Nesprávné uložení do košů mohou být příčinou, že nádobí a příbory nejsou po umytí čisté.

Vkládání a vyjímání nádobí z košů

- Odstraňte z nádobí větší zbytky pokrmů. Připálené zbytky z pánví nechte odmočit. Nádobí není třeba předem oplachovat pod tekoucí vodou.
- Předměty ukládejte do myčky následujícím způsobem:
 - Předměty jako šálky, sklenice, hrnce, misky apod. ukládejte dnem vzhůru, aby se v nich nemohla shromažďovat voda.
 - Sklenice a jiné křehké předměty se nesmějí vzájemně dotýkat, aby se nepoškodily.
 - Nádoby se zakřivenými nebo vyklenutými částmi pokládejte šikmo tak, aby z nich mohla vytékat voda.
 - Nádobí a příbory nesmějí být vkládány do sebe ani se nesmějí překrývat.
 - Větší předměty, které se myjí obtížněji, ukládejte do spodního koše.

- Horní koš je určen pro křehčí a menší předměty jako jsou sklenice, šálky nebo hrnky.
- Všechny předměty urovnejte tak, aby se nemohly převrhnout.
- Všechny předměty urovnejte tak, aby se ostříkovací ramena mohla volně pohybovat.
- Velmi malé předměty by se do myčky dávat neměly, protože by mohly snadno propadnout košem.
- Při plnění myčky by neměly být horní a spodní koš vysunuty současně, aby nedošlo k převrnutí.

UPOZORNĚNÍ

- Ujistěte se, že žádný předmět neprochází dnem koše.
- Ostré předměty ukládejte vždy ostřím dolů!
- Dlouhé nebo ostré předměty (jako jsou například nože) neukládejte do svislé polohy, hrozí nebezpečí poranění. Uložte je vodorovně do horního koše.

Vyjímání nádobí z myčky

Doporučujeme nejdříve vyprázdnit spodní koš a pak teprve horní, vyhněte se tak skapávání vody z horního koše do spodního.

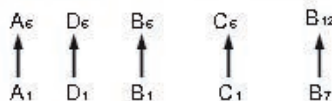
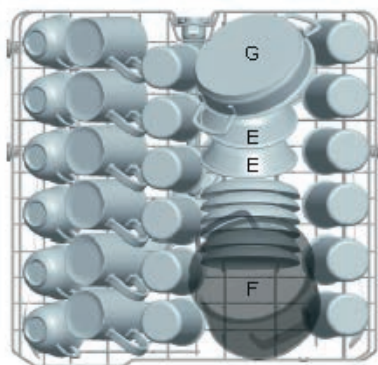
Plnění horního koše

Horní koš je určen pro křehčí a menší předměty jako jsou sklenice, hrnky, šálky a podšálky, talíře, misky a mělké misky (pokud nejsou příliš znečištěny).

Nádobí a příbory ukládejte tak, aby je nemohl převrhnout proud stříkající vody.

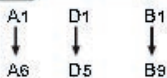
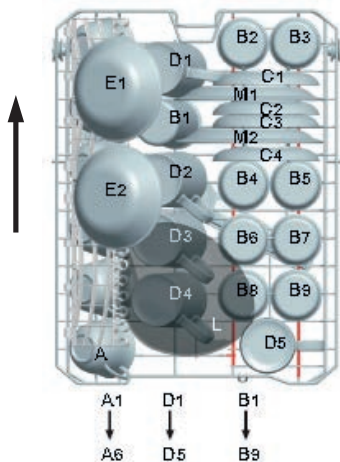
60 cm myčka

- A. Šálky
- B. Sklenice
- C. Talířky
- D. Hrníčky
- E. Mísy
- F. Malý hrnec
- G. Mísa



45 cm myčka

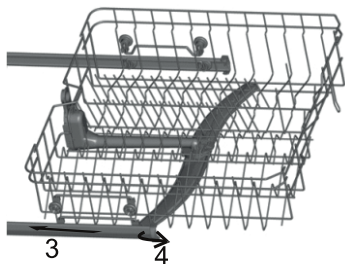
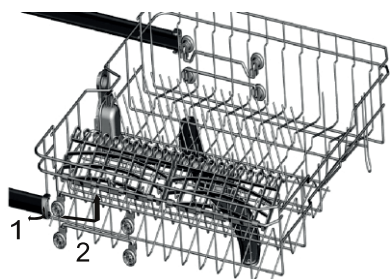
- A. Šálky
- B. Sklenice
- C. Talířky
- D. Hrníčky
- E. Dezertní talíř
- L. Skleněná mísa
- M. Dezertní talíř



Nastavení horního koše

Výšku horního koše lze upravit tak, aby se vytvořilo více místa pro větší kusy nádobí buď v horním, nebo v spodním koši. Výšku horního koše nastavíte vložením koleček koše do vodicích drážek umístěných

v různých výškách. Dlouhé předměty, servírovací i stolní příbory a nože ukládejte do koše tak, aby nebránily pohybu ostříkovacích ramen. Příhrádku lze sklopit nebo vyjmout, pokud se nebude používat.



Plnění spodního koše

Větší předměty a předměty, které se obtížně myjí, tj. hrnce, pánve, poklice, talíře a mísy, doporučujeme vkládat do spodního koše, jak znázorňuje obrázek.

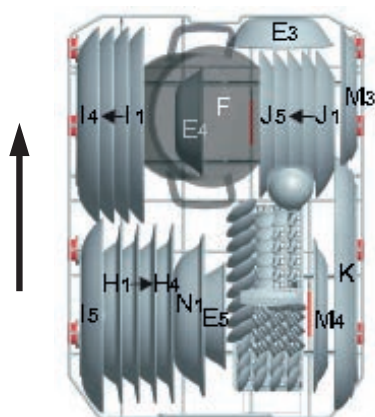
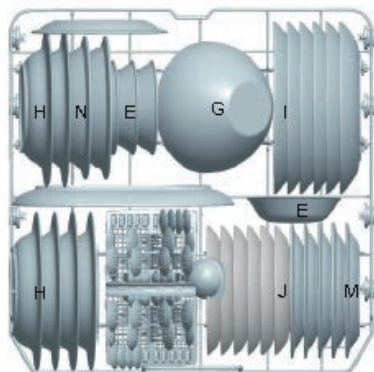
Talíře a poklice doporučujeme ukládat po stranách koše, aby nebránily rotaci horního ostříkovacího ramene. Hrnce, mísy apod. musí být vždy uloženy dnem vzhůru.

Hluboké hrnce se ukládají šikmo, aby z nich mohla vytékat voda.

Spodní koš je opatřen sklopnými stojany umožňujícími vkládání velkých hrnců a pánví.

60 cm myčka

- G. Dezertní mísa
- H. Polévkový talíř
- I. Mělký talíř
- J. Dezertní taň
- K. Oválný talíř
- L. Skleněná mísa
- M. Dezertní talíř
- N. Melaminová mísa



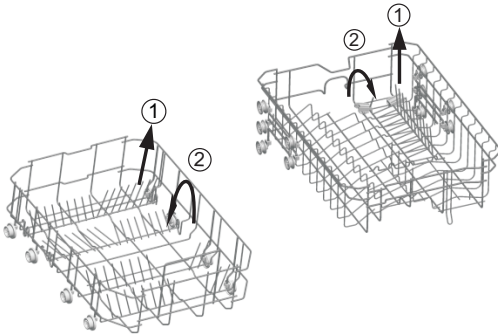
45 cm myčka

- E. Dezertní mísa
- H. Polévkový talíř
- I. Mělký talíř
- J. Dezertní taň
- K. Oválný talíř
- F. Menší hrnec
- M. Dezertní talíř
- N. Melaminová mísa

Sklopné stojany horního a spodního koše

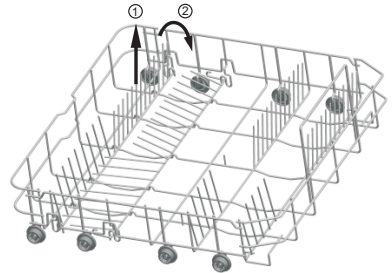
Sklopné stojany sestávají ze dvou částí. Sklopením stojanů ve spodním koši (pro myčky 60 cm), vrchním a spodním koši (pro myčky 45 cm), viz obrázek, vznikne více místa pro uložení větších hrnců a pánví. V případě potřeby lze každou část sklopit samostatně, nebo sklopit obě části najednou a vytvořit tak v spodním koši velkou ložnou plochu.

Vrchní koš pro myčky 45 cm



Spodní koš pro myčky 45 cm

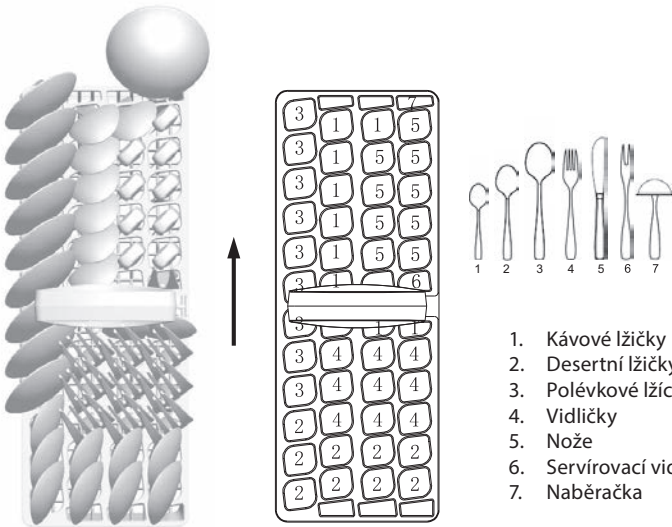
Spodní koš pro myčky 60 cm



Koš na příbory

Příbory uspořádejte v koši na příbory naznačeným způsobem. Příbory umístěte tak, aby mohla voda volně protékat.

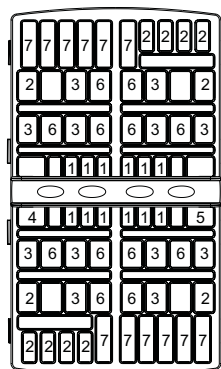
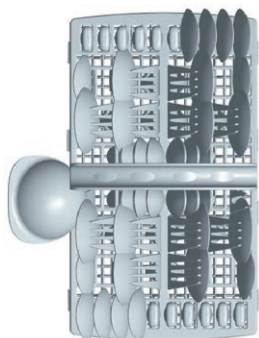
Koš na příbory pro myčky 45 cm



Strana směrem ke dveřím

1. Kávnové lžičky
2. Desertní lžičky
3. Polévkové lžičce
4. Vidličky
5. Nože
6. Servírovací vidličky
7. Naběračka

Koš na příbory pro myčky 60 cm



Strana směrem ke dveřím



1. Kávové lžičky
2. Desertní lžičky
3. Polévkové lžíce
4. Naběračka
5. Servírovací vidličky
6. Vidličky
7. Nože

Nádobí nevhodné pro mytí v myčce

Zcela nevhodné

Příbory s držadly ze dřeva, porcelánu, rohoviny nebo perletě.

Nádoby z plastů, které nejsou odolné teple.

Příbory s lepenými částmi, které nejsou odolné teple.

Slepané nádobí a příbory.

Cínové a měděné předměty.

Křišťálové sklo.

Ocelové předměty, které rezavějí.

Dřevěná prkénka.

Předměty ze syntetických vláken.

Ostré kuchyňské nože, jejichž ostří ztratí mytím své vlastnosti.

Nedoporučované

Některé druhy skel, která mohou po často opakovaném mytí zmatnět.

Stříbrné a hliníkové části, které mají sklon ztrácet při mytí barvu.

Glazované vzory mohou při častém mytí v myčce vyblednout.

POZNÁMKA: Nevkládejte předměty znečištěné cigaretovým popelem, voskem či barvami. Při nákupu nového vybavení kuchyně dbejte na to, aby bylo vhodné do myčky.

POZNÁMKA: Nikdy myčku nepřetěžujte. Nepoužívejte nádobí, které není vhodné pro použití myčky. Jen tak dosáhnete dobrých výsledků a ušetříte energii.

Vkládání nádobí a příborů

Před vložením nádobí:

- Odstraňte hrubé zbytky.
- Zbytky připálených pokrmů nechte odmočit.

UPOZORNĚNÍ

- Ujistěte se, že žádný předmět neprochází dnem koše.
- Ostré předměty ukládejte vždy ostřím dolů!

Při vkládání nádobí a příborů dbejte na to, aby:

- Vkládané předměty nebránily otáčení ostříkovacích ramen.
- Duté předměty jako šálky, sklenice, misky apod. ukládejte dnem vzhůru, aby se v nich nemohla shromažďovat voda.
- Nádobí a příbory nesmějí být vkládány do sebe ani se nesmějí překrývat.
- Sklenice se nesmějí vzájemně dotýkat, aby se nepoškodily.
- Větší předměty, které se myjí obtížněji, ukládejte do spodního koše.
- Horní koš je určen pro křehčí a menší předměty jako jsou sklenice nebo šálky a hrnky.

UPOZORNĚNÍ

Nože s dlouhou čepelí uložené ve svislé poloze představují potenciální nebezpečí!

Dlouhé nebo ostré předměty, jako jsou porcovací nože, musí být uloženy vodorovně v horním koši.

Poškození sklenic a jiného nádobí

Možné příčiny:

- Nevhodný typ skla nebo výrobku. Chemické složení mycího prostředku.
- Nevhodná teplota vody a délka programu.

Doporučená řešení:

- Používejte skleněné a porcelánové nádobí, které je výrobcem označeno pro použití v myčce.
- Používejte jemné mycí prostředky určené pro příslušné nádobí. V případě potřeby si od výrobce mycího prostředku vyžádejte další informace.
- Vyberte program s nižší teplotou.
- Sklo a příbory vyjměte z myčky co nejdříve po skončení mytí, zabráníte tak možnému poškození.

Po skončení mytí

Pomocí tlačítka vypínače myčku vypněte, zastavte přívod vody a otevřete dvířka myčky. Před vyjmutím nádobí z myčky vyčkejte několik minut, abyste nemanipulovali s nádobím, dokud je ještě horké a hrozí větší riziko rozbítí. Nádobí také lépe oschne.

SPUŠTĚNÍ MYCÍHO PROGRAMU

Tabulka mycích programů

Pro myčky 45 cm						
Program	Informace pro volbu programu	Popis programu	Mycí prostředek předmytí/mytí	Délka programu (min.)	Spotřeba energie (kWh)	Spotřeba vody (l)
Intenzivní	Pro silně znečištěné hrnce, pánve a kastroly a nádobí se zasklými zbytky potravin.	Předmytí Mytí (62 °C) Oplach 1 Oplach 2 Horký oplach Sušení	3/14g (nebo 3v1)	170	1,20	16,4
Eco (*EN 60436) (std. program)	Pro běžně znečištěné nádobí jako hrnce, talíře, sklenice a lehce znečištěné pánve. Standardní denní cyklus.	Předmytí Mytí (44 °C) Horký oplach Sušení	3/14 g (nebo 3v1)	240	0,704	10
90 min	Lehký mycí program vhodný pro choulostivější nádobí, citlivé na vysoké teploty. (Spusťte hned po použití nádobí.)	Mytí (60 °C) Oplach Horký oplach Sušení	3/12 g	90	0,84	10
30 min	Lehce a normálně znečištěné sklenice, talíře nebo misky, každodenní mytí.	Předmytí Mytí (40 °C) Horký oplach	10 g	30	0,50	6,8
Opláchnutí	Pro opláchnutí nádobí, které chcete mýt později.	Předmytí	–	13	0,01	3,6

Pro myčky 60 cm						
Program	Informace pro volbu programu	Popis programu	Mycí prostředek předmytí/mytí	Délka programu (min.)	Spotřeba energie (kWh)	Spotřeba vody (l)
Intenzivní	Pro silně znečištěné hrnce, pánve a kastroly a nádobí se zasklými zbytky potravin.	Předmytí Mytí (60 °C) Oplach 1 Oplach 2 Horký oplach Sušení	4/16 g (nebo 3v1)	180	1,30	16
Eco (*EN 60436) (std. program)	Pro běžně znečištěné nádobí jako hrnce, talíře, sklenice a lehce znečištěné pánve. Standardní denní cyklus.	Předmytí Mytí (44 °C) Horký oplach Sušení	4/16 g (nebo 3v1)	237	0,922	11
90 min	Lehký mycí program vhodný pro choulostivější nádobí, citlivé na vysoké teploty. (Spusťte hned po použití nádobí.)	Mytí (50 °C) Oplach Horký oplach Sušení	3/15 g	90	0,89	14
30 min	Lehce a normálně znečištěné sklenice, talíře nebo misky, každodenní mytí.	Předmytí Mytí (40 °C) Horký oplach	15 g	30	0,50	7
Opláchnutí	Pro opláchnutí nádobí, které chcete mýt později.	Předmytí	–	11	0,01	4

Hodnoty pro programy jiné než ECO jsou pouze orientační.

- 1** Program ECO je vhodný k mytí běžně znečištěného nádobí, je to nejúčinnější program z hlediska kombinované spotřeby energie a vody. Tento program se používá k posouzení souladu s právními předpisy EU o Ekodesignu.
- 2** Ruční umývání nádobí před vložením do myčky vede ke zvýšené spotřebě vody a energie a nedoporučuje se.
- 3** Mytí nádobí v myčce obvykle spotřebuje méně energie a vody než ruční mytí, pokud se myčka pro domácnost používá podle tohoto návodu k použití. Naplněním myčky pro domácnost až do kapacity uvedené výrobcem přispěje k úsporám energie a vody.

Informace pro srovnávací test v souladu s EN 60436 jsou následující:

- Kapacita: 12 sad pro myčky 60 cm, 9 sad pro myčky 45 cm
- Pozice horního koše: Spodní pozice
- Nastavení dávkovače leštidla: 5 (nebo 4 pro dávkovač se čtyřmi polohami)

Zapnutí spotřebiče

Spuštění mycího programu

1. Naplňte oba koše nádobím a zasuňte je zpět. Doporučujeme naplnit nejdříve spodní koš a potom horní.
2. Přidejte mycí prostředek (viz kapitoly věnované dávkování).
3. Připojte napájecí přívod do vhodné síťové zásuvky, viz typový štítek spotřebiče. Zkontrolujte, zda je přívod vody otevřen naplno.
4. Ujistěte se, že nic nebrání v pohybu ostříkovacích ramen a zavřete dvířka.
5. Stiskněte tlačítko vypínače a stiskem tlačítka programu zvolte požadovaný mycí cyklus, viz Tabulka programů.

Poznámka:

- Při správném zavření dveří se ozve cvaknutí. Po dokončení mytí můžete myčku vypnout tlačítkem vypínače.

Změna programu

Základní předpoklad: Program můžete měnit za chodu pouze v případě, že myčka běží jen krátkou dobu. V opačném případě může být mycí prostředek již spotřebován a voda odčerpána. Pak je potřeba zásobník mycího prostředku znovu naplnit (viz kapitola „Dávkování mycího prostředku“).

1. Stiskem tlačítka vypínače zrušte program a myčku tímto tlačítkem opět zapněte.
2. Nyní můžete vybrat nový, požadovaný program (viz „Spuštění mycího programu“).

Poznámka:

- Pokud otevřete dvířka během mytí, myčka se zastaví, ozve se výstražný signál a na displeji se objeví chybové hlášení „E1“. Když dvířka zavřete, začne myčka po krátké prodlevě znovu pracovat.

Poznámka:

- Pokud všechny kontrolky začnou blikat, znamená to, že je myčka mimo provoz. Vypněte hlavní vypínač, zavřete přívod vody a zavolejte servis.

Pokud zapomenete vložit nějaké nádobí

Zapomenuté kusy nádobí lze vkládat kdykoliv až do okamžiku otevření dávkovače mycího prostředku.

1. Pootevřete dvířka a vyčkejte zastavení programu.
2. Jakmile ostříkovací ramena ustanou v činnosti, můžete dvířka plně otevřít.
3. Vložte zapomenuté kusy nádobí.
4. Uzavřete dvířka, myčka se po 10 sekundách opět spustí.

VAROVÁNÍ!

- Během provozu je otevírání dvířek nebezpečné, protože hrozí nebezpečí opaření horkou vodou. Mycí program je ukončen teprve tehdy, když se na digitálním displeji objeví „- - -“ a ozve se 6x zvukové znamení. Poté vypněte myčku tlačítkem vypínače a zavřete přívod vody.

Po skončení programu

1. Stiskem vypínače myčky vypněte.
2. Zavřete přívod vody.
3. Otevřete opatrně dvířka myčky, nechejte je pootevřená a před vyjmutím nádobí vyčkejte několik minut. Nádobí tak může zchladnout a lépe doschnout.

Poznámky

- Dvířka otevřete opatrně, pára unikající z otevřených dvířek je horká!
- Před vyjímáním nádobí a příborů z myčky vyčkejte pár minut, neboť je nádobí krátce po mytí horké a mohlo by snadno popraskat.

Vyjímání nádobí z myčky

- Vnitřek myčky bývá obvykle vlhký.
- Nejdříve vyprázdněte spodní koš a potom horní. Tak se vyhnete skapávání vody z horního koše do spodního.

ÚDRŽBA A ČIŠTĚNÍ

Filtrační systém

Filtr chrání čerpadlo před vniknutím větších kusů pokrmů a jiných objektů. Zbytky pokrmů mohou filtr ucpat. Proto je třeba filtr čas od času vyjmout a vyčistit.

Filtrační systém sestává z hrubého filtru, plochého (hlavního) filtru a jemného mikrofiltru.

1 Plochý filtr

Zbytky potravin a nečistoty jsou speciální tryskou na spodním rameni svedeny do tohoto filtru.

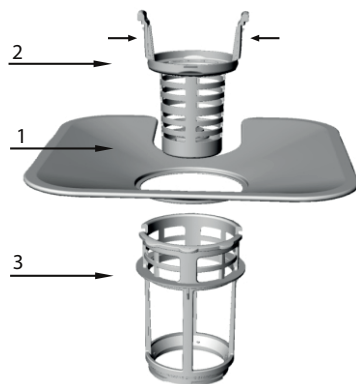
2 Hrubý filtr

V tomto filtru se zachytávají větší částice jako kusy kostí nebo skla, které by mohly ucpat odpad. Potřebujete-li odstranit z filtru zachycené částice, jemně zmáčkněte jazýčky v horní části a filtr vytáhněte.

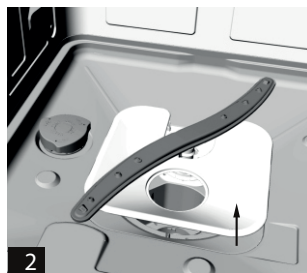
3 Mikrofiltr

Tento filtr zachycuje v jímce lapače nečistoty a drobné zbytky potravin a zabraňuje jejich opětovnému usazení na nádobí.

- Po každém použití myčky zkontrolujte, zda není filtr ucpaný.
- Po odšroubování hrubého filtru můžete vyjmout celý filtrační systém. Odstraňte všechny zbytky pokrmů a pak filtr propláchněte pod tekoucí vodou.



Krok 1: Otočte filtrem proti směru hodinových ručiček a pak jej vysuňte.



Krok 2: Vysuňte plochý filtr nahoru.

Poznámka:

- Při vyjímání filtru postupujte od kroku 1 ke kroku 2, při vkládání filtru zpět postupujte od kroku 2 ke kroku 1.

Montáž filtru

Pravidelné čištění filtru zajišťuje optimální výkon a výsledky mytí. Filtr účinně zachycuje částice z mycí vody a umožňuje tak recyklaci vody během cyklu. Proto je vhodné po každém mycím cyklu odstranit z filtru větší zachycené částice vypláchnutím filtru pod tekoucí vodou. Filtr vyjměte tahem za úchyt filtru ve svlsém směru. Celý filtr by se měl čistit jednou týdně.

K čištění hrubého a jemného filtru použijte čistící kartáček. Poté filtr znovu sestavte podle obrázků výše a celý filtrační systém vložte do myčky na původní místo a zatlačte jej směrem dolů.

VAROVÁNÍ!

- **Myčka se nesmí nikdy používat bez filtru!** Nesprávné uložení filtru může snížit výkon stroje a poškodit nádobí a přístroje.
- Při čištění na filtr neklepejte. Zdeformovaný filtr negativně ovlivní funkčnost myčky.

Čištění ostříkovačích ramen

Pravidelné čištění ostříkovačích ramen od chemikálií z tvrdé vody je velmi důležité, protože vznikající vodní kámen zanáší trysky a ložiska. Ostříkovačí ramena můžete vyjmout po vyšroubování matice na vrchní části ramene ve směru hodinových ručiček, poté lze ramena vyjmout. Ostříkovačí ramena opláchněte v teplé mýdlové vodě a jemným kartáčem očistěte trysky. Po důkladném opláchnutí nasadte ramena zpět.

Péče o myčku

Ovládací panel čistěte mírně navlhčeným hadříkem. Po čištění proveďte důkladné osušení.

Na údržbu vnějších částí používejte kvalitní leštící vosk.

K čištění částí myčky nikdy nepoužívejte ostré nástroje, brusné prášky nebo agresivní čističe.

Ochrana proti zamrznutí

Pokud je myčka v zimním období ponechána na nevytápěném místě, proveďte následující úkony:

1. Odpojte myčku od napájení.
2. Zavřete přívod vody a odpojte přívodní hadici od přívodu vody.
3. Vpusťte vodu z přívodní hadice a vodovodního ventilu. (Na zachycení vody použijte hrnec.)
4. Připojte znovu přívodní hadici k vodovodnímu ventilu.
5. Z dolní části myčky vyjměte nádržku s filtrem a pomocí houby vysušte vodu z jímký lapače.

Čištění dvířek

- K čištění okrajů kolem dvířek používejte pouze hadřík navlhčený teplou vodou. Nepoužívejte žádné čističe ve spreji, aby nedošlo ke vniknutí vody do zámku dvířek nebo elektrických komponent. Nepoužívejte ani žádné abrazivní čističe nebo brusné prášky, které by mohly poškrábat povrch spotřebiče. I některé papírové utěrky mohou zanechat na povrchu stopy nebo škrábance.

Jak udržet myčku v dobrém stavu

Po každém mytí

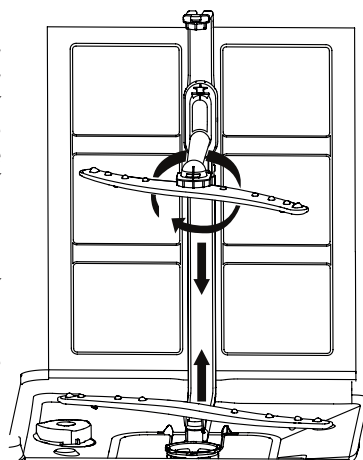
Po každém mytí zavřete přívod vody do přístroje a ponechte dvířka mírně otevřená tak, aby z vnitřku vyprchala vlhkost a pachy.

Odpojte napájecí přívod

Před každým čištěním a údržbou odpojte napájecí přívod ze síťové zásuvky. Neriskujte.

Nepoužívejte rozpouštědla ani abrazivní čistidla

Na čištění vnějších a gumových částí myčky nikdy nepoužívejte rozpouštědla ani abrazivní čistidla.



Používejte pouze hadřík navlhčený v teplé mýdlové vodě. Skvrny a usazeniny z vnitřních povrchů myčky odstraníte hadříkem zvlhčeným ve slabém octovém roztoku nebo speciálním prostředkem určeným pro myčky.

O dovolené

Pokud myčku nebudete delší dobu používat, proveďte mycí cyklus bez nádobí, odpojte přívod elektřiny, uzavřete přívod vody a nechte dvířka myčky pootevřená. Zabráníte tak vzniku zápachu uvnitř spotřebiče a šetříte těsnění dvířek.

Stěhování myčky

Pokud je nutné myčku přemístit, snažte se ji přepravovat ve svislé poloze. Pokud je to nezbytné, může být položena na zadní část.

Těsnění

Zbytky pokrmů, které se zachytí v těsnění dvířek, představují jeden z faktorů tvorby zápachu v myčce. Vzniku zápachu zabráníte pravidelným čištěním těsnění vlhkou houbičkou.

TIPY K ŘEŠENÍ POTÍŽÍ

Než zavoláte servis

Doporučení následující tabulky vám mohou pomoci problém vyřešit. Pokud potíže přetrvávají, obraťte se na autorizovaný servis.

Problém	Možná příčina	Nápravná akce
Myčka se nespustí.	Došlo k přepálení pojistky nebo vybavení jističe.	Vyměňte pojistku nebo zapněte jistič. Odpojte všechny ostatní elektrospotřebiče zapojené do stejného zásuvkového okruhu.
	Napájení není zapnuto.	Zkontrolujte, zda je myčka zapnuta a dvířka jsou řádně zavřena. Zkontrolujte, zda je vidlice síťové šňůry řádně připojena do síťové zásuvky.
	Příliš nízký tlak vody	Zkontrolujte, zda je přívod vody řádně připojen a přívodní ventil otevřen.
Nezastaví se vypouštěcí čerpadlo	Přetečení	Systém je konstruován tak, aby detekoval stav přetečení. V takovém případě se zastaví cirkulační čerpadlo a spustí se vypouštěcí čerpadlo.
Hluk	Určité zvuky během mytí jsou normální	Zvuk otevření víčka dávkovače mycího prostředku.
	Nádobí není v koších řádně zajištěno nebo do koše spadl menší předmět	Ujistěte se, že je veškeré nádobí v myčce řádně zajištěno.
	Hukot motoru	Myčka nebyla pravidelně používána. Pokud myčku používáte jen zřídkka, nezapomeňte každý týden napustit a odčerpat vodu, aby nedošlo k vysušení těsnění.
Pěna ve vaně myčky	Nesprávný mycí prostředek	Používejte výhradně mycí prostředky určené pro automatické myčky. V případě výskytu pěny otevřete dvířka myčky a nechte pěnu odpařit. Do vany nalijte cca 4,5 litru studené vody. Myčku zavřete a spuštěním programu „namáčení“ vodu vypusťte. V případě potřeby opakujte.
	Přetečení leštidla	Rozlité leštidlo neprodleně vytřete.
Zabarvený vnitřek vany	Byl použit saponát s barvivem.	Dbejte na to, aby použitý mycí prostředek neobsahoval barviva.
Nádobí a příbory nejsou čisté	Zvolen nevhodný program	Zvolte intenzivnější program.
	Nesprávné uložení nádobí v koších	Ujistěte se, že účinek dávkovače mycího prostředku a ramen ostříkovače není blokován velkými kusy nádobí.

Problém	Možná příčina	Nápravná akce
Fleky a film na sklenicích a přiborech	<ol style="list-style-type: none"> 1. Velmi tvrdá voda 2. Nízká teplota přívodu 3. Příliš nádobí v myčce 4. Nesprávné uložení nádobí 5. Starý nebo navlhlý prášek 6. Prázdný dávkovač leštidla 7. Nesprávné dávkování prostředku 	<p>Odstranění fleků ze skla:</p> <ol style="list-style-type: none"> 1. Vyjměte veškeré kovové přibory 2. Nedoplňujte mycí prostředek 3. Vyberte nejdelší program 4. Spusťte myčku a nechte ji běžet cca 18 až 22 minut, než dospěje do fáze hlavního mytí. 5. Otevřete dvířka a na dno myčky vlijte 2 šálky bílého octa. 6. Zavřete dvířka a nechte myčku dokončit program. Pokud ocet nepomůže: Opakujte výše uvedený postup, ale namísto octa použijte 1/4 šálku (60 ml) krystalické kyseliny citronové.
Zákal na skleněném nádobí.	Kombinace měkké vody a nadbytečného množství mycího prostředku.	Pokud používáte měkkou vodu, použijte k mytí skla méně mycího prostředku a zvolte kratší program.
Žlutý nebo hnědý povlak na vnitřních površích	Kávové nebo čajové skvrny	<p>Použijte roztok 1/2 šálku bělidla a 3 šálků vody a odstraňte skvrny ručně.</p> <p>POZOR! Po dokončení programu vyčkejte před čištěním vnitřního povrchu alespoň 20 minut, aby mohly zchladnout topná tělesa. V opačném případě hrozí popálení.</p>
	Kovové usazeniny ve vodě mohou způsobit vřudypřítomný povlak	Obratťe se na dodavatele vody s žádostí o instalaci speciálního filtru.
Bílý potah na vnitřním povrchu.	Tvrdá voda s obsahem minerálů	K vyčištění vnitřku použijte houbu navlhčenou v čisticím prostředku pro myčky. Použijte gumové rukavice. Nikdy nepoužívejte jiný čisticí prostředek než pro myčky, zabráníte tak pěníni nebo vzniku mydlin.
Víko dávkovače mycího prostředku nelze řádně zavřít	Zbytky prostředku ucply západku víčka	Odstraňte zbytky prostředku ze západky.
V miskách dávkovače zůstal mycí prostředek.	Nádobí blokovalo misky dávkovače.	Přeuspořádejte nádobí.
Pára	Tento jev je normální	Během sušení a vypouštění vody uniká z větracích otvorů u dvířek určité množství páry.
Černé nebo šedé skvrny na nádobí.	Hliníkové přibory se třely o ostatní nádobí.	K odstranění těchto skvrn použijte jemné abrazivní čisticí.
Na dně výlevky zůstává voda	Tento jev je normální	Malé množství čisté vody kolem výpusti na dně výlevky zabraňuje přesušení vodního těsnění.
Únik vody z myčky	Přeplnění dávkovače nebo rozlité leštidla	Dbejte na to, abyste nepřeplnovali dávkovač leštidla. Rozlité leštídlo může způsobit přílišné pěníni a může vést k přetečení. Rozlité leštídlo setřete vlhkým hadříkem.
	Myčka není ve vodorovné poloze	Zajistěte vodorovnou polohu myčky.

Pokud pokyny ve výše uvedené tabulce nevyřeší problém, se kterým jste se setkali, obraťte se na prodejce nebo autorizované servisní středisko. Neodborné zásahy do spotřebiče mohou ohrozit bezpečnost použití a zneplatnit záruku. Kontakt na autorizovaný servis je uveden v příloženém záručním listu.

Chybové kódy

V případě závady zobrazí myčka prostřednictvím LED kontrolky ovládacího panelu kód příslušné chyby.

Kód	Význam	Možná příčina
E1	Otevřená dvířka	Otevřená dvířka za chodu myčky
E2	Přívod vody	Závada přívodu vody
E3	Odtok vody	Závada odčerpávání vody
E4	Snímač teploty	Porucha snímače teploty
E5	Přetečení/únik vody	Došlo k přetečení/úniku vody
E6	Únik vody	Došlo k úniku vody
E7	Topné těleso	Chyba ohřevu

UPOZORNĚNÍ

- Veškeré opravy nebo seřízení včetně výměny napájecího přívodu svěřte autorizovanému servisu! Jinak se vystavujete nebezpečí úrazu či ztrátě záruky.
- Kontakt na odborný servis tohoto produktu naleznete v příloženém Záručním listu nebo na stránkách www.ecg-electro.eu.
- Náhradní díly uvedené v EU 2019/2022 jsou k dispozici po dobu 10ti let.
- Přístup do databáze produktů, kde jsou uloženy informace k tomuto výrobku dle EU 2019/2017, můžete získat načtením QR kódu na energetickém štítku.
- Pokud dojde k úniku vody, zavřete přívodní vodovodní ventil a obraťte se na autorizované servisní středisko. Pokud je na dně mycího prostoru voda v důsledku přetečení nebo úniku, odstraňte ji před novým spuštěním myčky.

Poznámka:

Přístroj splňuje evropské normy a předpisy v současném znění:

- LVD – EU směrnice 2014/35/EU
- EMC – EU směrnice 2014/30/EU
- EUP 2019/2022

Výše uvedené hodnoty byly naměřeny za specifických pracovních podmínek v souladu s příslušnými normami. Výsledky se mohou významně lišit v závislosti na množství a míře znečištění nádobí, tvrdosti vody, množství mycího prostředku apod.

Tento návod k použití je zpracován podle norem a předpisů Evropské unie.

TECHNICKÉ ÚDAJE

	EDF 4527 QWE	EDF 4525 QWE	EDF 4535 QWE	EDF 6027 QWE
Výška (cm)	84,5	84,5	84,5	84,5
Šířka	44,8	44,8	44,8	60
Hloubka(včetně připojení)	60	60	60	60
Příkon	1850 W	1850 W	1850 W	1850 W
Jmenovité napětí/frekvence	220–240 Vac / 50 Hz	220–240 Vac / 50 Hz	220–240 Vac / 50 Hz	220–240 Vac / 50 Hz
Tlak vody (hydrodynamický tlak)	0,4–10,0 bar = 0,04–1,0 MPa	0,4–10,0 bar = 0,04–1,0 MPa	0,4–10,0 bar = 0,04–1,0 MPa	0,4–10,0 bar = 0,04–1,0 MPa

LIKVIDACE

Řádně z myčky odstraňte veškerý obalový materiál.

Veškerý obalový materiál lze recyklovat.

Součásti z plastu jsou označeny standardními mezinárodními zkratkami:

- PE.....polyetylen, např. balicí fólie
- PS.....polystyren, např. vycpávkový materiál
- POM.....polyoxymetylen, např. plastové svorky
- PP.....polypropylen
- ABS.....akrylonitril-butadien-styren, např. ovládací panel

⚠ UPOZORNĚNÍ

- Obalový materiál může být nebezpečný pro děti!
- Nepotřebný obalový materiál, prosím, odevzdejte ve sběrném dvoře. Znehodnoťte při tom přístroj tak, že odstraníte dvířka a odstříhnete napájecí kabel.
- Kartónová krabice obalu je vyrobena z recyklovaného papíru, a proto by měla být odevzdána do sběru pro další recyklaci.
- Řádnou likvidací přístroje přispějete k ochraně životního prostředí a lidského zdraví, které by mohlo být ohroženo v případě nesprávného zacházení s vyraženým výrobkem.
- Více informací o recyklaci tohoto výrobku získáte od místních úřadů nebo od sběrného střediska.

LIKVIDACE: Neodkládejte výrobek do netříděného odpadu z domácnosti. Jednotlivé části se musí třídit podle materiálů a ukládat zvlášť pro další zpracování.

VYUŽITÍ A LIKVIDACE ODPADU

Balící papír a vlnitá lepenka – odevzdat do sběrných surovin. Přebalová fólie, PE sáčky, plastové díly – do sběrných kontejnerů na plasty.

LIKVIDACE VÝROBKU PO UKONČENÍ ŽIVOTNOSTI

Likvidace použitých elektrických a elektronických zařízení (platí v členských zemích EU a dalších evropských zemích se zavedeným systémem třídění odpadu)

Vyobrazený symbol na produktu nebo na obalu znamená, že s produktem by nemělo být nakládáno jako s domovním odpadem. Produkt odevzdejte na místo určené pro recyklaci elektrických a elektronických zařízení. Správnou likvidací produktu zabráníte negativním vlivům na lidské zdraví a životní prostředí. Recyklace materiálů přispívá k ochraně přírodních zdrojů. Více informací o recyklaci tohoto produktu Vám poskytne obecní úřad, organizace pro zpracování domovního odpadu nebo prodejní místo, kde jste produkt zakoupili.



08/05

Tento výrobek splňuje požadavky směrnice EU o elektromagnetické kompatibilitě a elektrické bezpečnosti. Tento výrobek splňuje požadavky z hlediska problematiky těžkých kovů v elektrozařízeních.



Návod k obsluze je k dispozici na webových stránkách www.ecg-electro.eu.

Změna textu a technických parametrů vyhrazena.

BEZPEČNOSTNÉ POKYNY

Čítajte pozorne a uschovajte na budúcu potrebu!

Varovanie: Bezpečnostné opatrenia a pokyny uvedené v tomto návode nezahŕňajú všetky možné podmienky a situácie, ku ktorým môže dôjsť. Používateľ musí pochopiť, že faktorom, ktorý nie je možné zabudovať do žiadneho z výrobkov, je zdravý rozum, opatrnosť a starostlivosť. Tieto faktory teda musia byť zaistené používateľom/používateľmi používajúcimi a obsluhujúcimi toto zariadenie. Nezodpovedáme za škody spôsobené počas prepravy, nesprávnym používaním, kolísaním napätia alebo zmenou či úpravou akejkoľvek časti zariadenia.

Aby nedošlo k vzniku požiaru alebo k úrazu elektrickým prúdom, mali by sa pri používaní elektrických zariadení vždy dodržiavať základné opatrenia, vrátane nižšie uvedených opatrení:

- Dvierka a koše na riad neotvárajte násilím, nesadajte si na dvierka ani na ne nestúpajte.
- Po skončení umývania sa nedotýkajte ohrievacieho telesa.
- Nespúšťajte umývačku, kým nie je riadne usadená. Ak je umývačka v prevádzke, otvárajte dvierka veľmi opatrne, pretože hrozí nebezpečenstvo oparenia.
- Na otvorené dvierka nekladte žiadne ťažké predmety, umývačka by sa mohla preklopiť.
- Pri vkladaní riadu na umývanie:
 1. Predmety s ostrými hranami umiestnite tak, aby nepoškodili tesnenie dvierok.
 2. Pozor: Nože a podobné ostré predmety sa musia do košov ukladať vo vodorovnej polohe alebo ostrím dole.
- Pri použití umývačky dbajte na to, aby sa plastové predmety nemohli dostať do priameho kontaktu s ohrievacími telesami.
- Po skončení umývacieho cyklu skontrolujte, či je dávkovač umývacieho prostriedku prázdny.
- V umývačke neumývajte plastový riad, ktorý nie je označený ako vhodný na umývanie v umývačke.
- Používajte výhradne umývacie prostriedky a leštidlá určené pre umývačky.

- Používajte iba umývacie prostriedky a leštidlá určené pre automatické umývačky. Nikdy nepoužívajte mydlá, pracie prášky alebo saponáty na ručné umývanie.
- Chráňte prístroj pred deťmi.
- Zabráňte deťom, aby sa dostali do styku s umývacím prostriedkom. Nedovoľte im priblížiť sa k otvoreným dverkam, vnútri môžu byť stále zvyšky umývacích prostriedkov.
- Prístroj nie je určený pre osoby s obmedzenými fyzickými, zmyslovými alebo mentálnymi schopnosťami (vrátane detí) alebo nedostatkom skúseností a znalostí, ak nie sú pod dozorom alebo ich s použitím prístroja neoboznámila osoba zodpovedná za ich bezpečnosť.
- Deti by mali byť pod dozorom, aby sa s prístrojom nehrali.
- Umývacie prostriedky sú silne zásadité a pri prehltnutí môžu byť mimoriadne nebezpečné! Zabráňte kontaktu s pokožkou a očami. Ak sú dvierka otvorené, nedovoľte deťom, aby sa k umývačke približovali.
- Nenechávajte dvierka otvorené, je možné o ne ľahko zakopnúť.
- Ak sa poškodí napájací kábel, smie ho nahradiť iba výrobca, servisný pracovník alebo iná kvalifikovaná osoba, aby sa predišlo nebezpečenstvu úrazu elektrickým prúdom.
- Zaistite ekologickú likvidáciu obalového materiálu.
- Umývačku používajte výhradne na účel, na aký bola navrhnutá.
- Napájací kábel nesmie byť pri inštalácii natiahnutý, zohýbaný ani zaťažovaný. Pred zapojením sa nedotýkajte ovládacích prvkov.
- Pri inštalácii pripojte k prístroju novú súpravu hadíc, staré hadice by sa už nemali znovu používať.
- Ak sú v spodnej časti spotrebiča vetracie otvory, nesmú byť zakryté kobercom.
- Spotrebič je určený na domáce použitie. V prípade komerčného použitia stráca záruka platnosť.

UZEMNENIE SPOTREBIČA

- Tento spotrebič musí byť uzemnený. V prípade poruchy alebo havárie znižuje uzemnenie riziko úrazu elektrickým prúdom. Prístroj

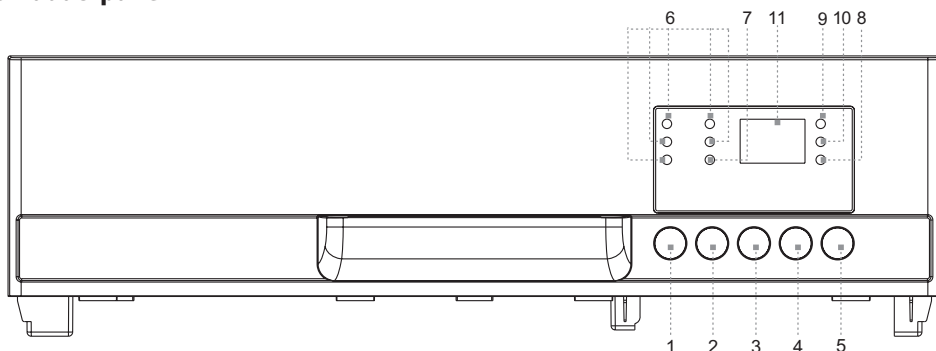
je vybavený trojžilovým napájacím káblom opatreným vidlicou s uzemňovacím kontaktom. V súlade s miestne platnými predpismi a vyhláškami musí byť napájací kábel pripojený do riadne uzemnenej sieťovej zásuvky.

Nesprávne pripojenie uzemňovacieho vodiča môže zvýšiť riziko úrazu elektrickým prúdom.

- Ak nie ste presvedčení o správnom uzemnení prístroja, obráťte sa na kvalifikovaného technika. Ak vidlica napájacieho kábla prístroja nezodpovedá vašej zásuvke, požiadajte kvalifikovaného technika o jej výmenu.

POPIS

Ovládací panel

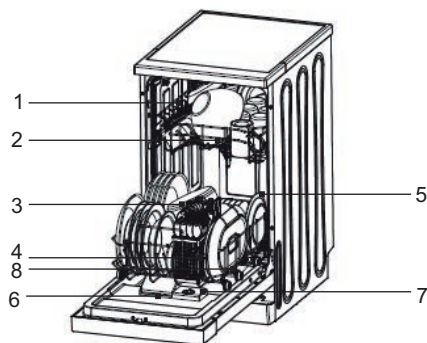


1. **Vypínač:** Zapnutie a vypnutie spotrebiča.
2. **Tlačidlá výberu programu:** Opakovaným stlačením tlačidla zvolíte požadovaný umývací program. Vybraný umývací program sa signalizuje rozsvietením patričnej kontrolky.
3. **Tlačidlo polovičnej náplne/Dry+*:** Stlačením tohto tlačidla môžete zvoliť doplnkové funkcie: polovičnú náplň, sušenie extra, príp. obe funkcie naraz.
4. **Tlačidlo odloženého štartu/detská poistka:** Stlačením tohto tlačidla môžete odložiť štart programu až o 24 hodín. Detskú poistku môžete aktivovať stlačením tohto tlačidla počas najmenej 3 sekúnd, na displeji 6x zabliká nápis „LO“.
5. **Tlačidlo ŠTART/PAUZA:** Stlačením tlačidla spustíte alebo prerušíte umývanie.
6. **Indikátory vybraného programu:** Zvolený program sa indikuje svietením príslušnej kontrolky.
7. **Kontrolka polovičnej náplne:** Táto kontrolka svieti, ak je aktivovaná doplnková funkcia „Polovičná náplň“.
8. **Kontrolka Dry+:** Táto kontrolka svieti, ak je aktivovaná doplnková funkcia „Dry+“.
9. **Kontrolka doplnenia leštidla:** Rozsvieti sa, keď je potrebné doplniť dávkovač.
10. **Kontrolka doplnenia soli:** Rozsvieti sa, keď je potrebné doplniť zásobník soli.
11. **Digitálny displej:** Zobrazuje zostávajúci čas programu, chybové kódy a odpočet odloženého štartu.

* **Dry+:** zvolením tejto prídavnej funkcie sa po ukončení programu predĺži čas sušenia o ďalších 5 min. na dosiahnutie lepšieho výsledku sušenia.

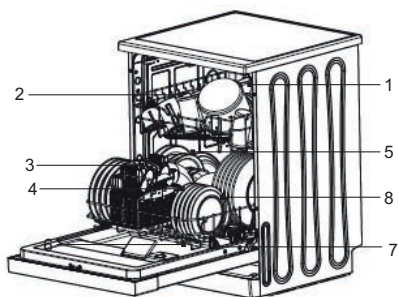
Vnútro umývačky

Umývačky 45 cm



1. Horný kôš
2. Ostrekovacie ramená
3. Spodný kôš
4. Zásobník na soľ

Umývačky 60 cm



5. Priehradka na príbory
6. Dávkovač umývacieho prostriedku
7. Dávkovač leštidla
8. Filter

POKYNY PRE INŠTALÁCIU

VAROVANIE!

- Pripojenie umývačky k elektrickému napájaniu a prívodu vody zverte kvalifikovaným profesionálom.
- Spotrebič nesmie stáť na prívodnej alebo odpadovej hadici, ani na elektrickom napájacom kábli.
- Umývačka musí byť pripojená k zdroju vody novou súpravou hadíc. Starú prívodnú hadicu nepoužívajte.

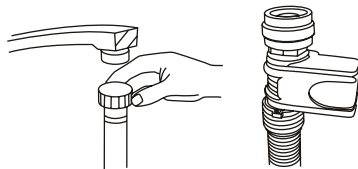
Umiestnenie umývačky

- Pred inštaláciou vybalte umývačku a zbavte ju všetkých obalov podľa pokynov na obale a skontrolujte, či počas prepravy nedošlo k poškodeniu. Ak zistíte akékoľvek poškodenie, prerušte inštaláciu a bezodkladne kontaktujte predajcu.
- Pri výbere miesta na umývačku dbajte na to, aby bolo možné ľahko vkladať a vyberať riad.
- Umývačku umiestnite do blízkosti prívodu vody a odpadu.
- Prívodnú a odpadovú hadicu umývačky je možné na uľahčenie inštalácie umiestniť z ľavej aj pravej strany.
- Pri premiestňovaní nezdvíhajte umývačku za dverka ani za predný panel.
- Umývačku je možné tiež zasunúť pod kuchynskú pracovnú dosku. Dajte pozor, aby pri zasunutí umývačky na miesto nedošlo k priškripaniu prívodov vody a odpadu. Zaisťte, aby umývačka nestála na elektrickom prívode.
- Umývačku postavte na rovnú tvrdú podlahu. Pomocou predných nastaviteľných nôžok zarovnajete umývačku do vodorovnej polohy. Náklon umývačky by nemal presiahnuť 2°. Vodorovná poloha zaisť vyššiu stabilitu, zamedzí pohybom umývačky a obmedzí vibrácie a hlučnosť. Správne postavenie umývačky tiež uľahčí otváranie a zatváranie dverok.
- Ak sa dverka umývačky správne nezatvárajú, skontrolujte, či umývačka stojí stabilne a vodorovne a v prípade potreby vyrovajte pomocou nastaviteľných nôžok.

Poznámka: Maximálna výška nastaviteľných nožičiek je 20 mm.

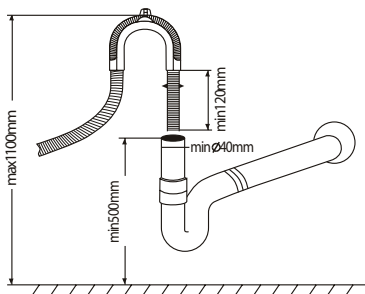
Pripojenie hadice prívodu vody

1. Tlak vody musí byť v rozmedzí 0,04 až 1,0 MPa. Ak je tlak vody nižší, obráťte sa na svojho technika.
2. Zaisťte, aby nebola prívodná hadica ohnutá alebo skrútená.
3. Ak sú vodovodné rúrky nové alebo sa dlho nepoužívali, nechajte najprv odtiecť dostatočné množstvo vody, kým nevyteká celkom čistá voda.
4. Nasadte koncovku hadice na prívod vody so závitom 3/4 palca a utiahnite skrutkový spoj.
5. Skontrolujte tesnosť spojenia.
6. Pred použitím umývačky celkom otvorte kohútik prívodu.



Pripojenie odpadovej hadice

Odpadovú hadicu pripojte k odpadovému potrubiu a zaisťte, aby sa hadica neohýbala ani nelámala. Ak je dĺžka odpadovej hadice nedostatočná, obráťte sa na autorizovaný servis so žiadosťou o dlhšiu hadicu z rovnakého materiálu. Majte na pamäti, že hadica nesmie byť ani s predĺžením dlhšia než 4 metre. Dlhšia odpadová hadica by znemožnila správnu funkciu umývačky. Hadicu pevne pripevnite k odpadovému potrubiu, aby sa počas činnosti umývačky nemohla uvoľniť.



Pripojenie k sifónu drezu

Pripojenie odpadu musí byť umiestnené vo výške medzi 50 cm (minimum) a 100 cm (maximum) nad dnom umývačky. Odpadová hadica by mala byť prichytená svorkou. Voľný koniec hadice nesmie byť ponorený vo vode.

Zapojenie do siete

Pred zapojením vidlice napájacej šnúry do elektrickej zásuvky skontrolujte nasledujúce:

- Zásuvka je uzemnená a vyhovuje platným normám.
- Zásuvka je vhodná pre maximálny príkon spotrebiča, ktorý je uvedený na typovom štítku na vnútornej strane dvierok.
- Napätie v zásuvke zodpovedá údajom na typovom štítku spotrebiča.
- Typ zásuvky je zhodný s typom vidlice napájacej šnúry spotrebiča. V opačnom prípade požiadajte autorizovaného technika o výmenu nevhodnej zásuvky. Na pripojenie umývačky nepoužívajte predĺžovacie káble alebo rozvodky.

Spustenie umývačky

Pred spustením umývačky je potrebné skontrolovať nasledujúce položky.

1. Umývačka stojí rovno a pevne.
2. Prívodný ventil je otvorený.
3. Zo spojov hadíc neuniká voda.
4. Napájací kábel je riadne pripojený.
5. Zásuvka je zapnutá.
6. Nie sú prískripnuté alebo zamotané prívodná a odpadová hadica.
7. Z umývačky je odstránený všetok obalový materiál a nálepky.

UPOZORNENIE

- Po inštalácii si uschovajte návod na použitie.
- Obsah návodu poskytuje užívateľovi dôležité informácie.

POKYNY NA POUŽÍVANIE

Pred prvým použitím

Pred prvým uvedením do prevádzky:

1. Nastavte tvrdosť vody, pozri kapitolu nižšie.
2. Nalejte do zásobníka soli 500 ml vody a doplňte ho soľou do umývačky.
3. Naplňte dávkovač leštidlom.
4. Naplňte dávkovač umývacím prostriedkom

Nastavenie spotreby soli

Umývačka umožňuje regulovať spotrebu soli v závislosti od tvrdosti používanej vody. Tak je možné mieru spotreby soli optimalizovať a regulovať. Pri regulácii spotreby soli postupujte nasledujúcim spôsobom:

Dávkovač soli je možné nastaviť v rozsahu H0 až H7, pri nastavení H0 sa soľ nedávkuje.

Zistíte tvrdosť svojej vody (túto informáciu môžete získať od svojho dodávateľa vody) a nastavte hodnotu dávkovania podľa tabuľky tvrdosti vody:

1. Zavrite dverka.
2. Zapnite umývačku vypínačom „Power“.
3. Podržte tlačidlo „Delay“ a potom stlačte na 5 sekúnd tlačidlo „Program“. Ozve sa zvukový signál a na displeji sa rozblíka H. (z výroby je nastavené H4).
4. Stlačením tlačidla „Delay“ môžete nastavenie zmeniť. S každým stlačením tlačidla „Delay“ sa hodnota dávkovania zvýši o 1 stupeň. Po dosiahnutí hodnoty H7 preskočí s ďalším stlačením tlačidla „Delay“ na hodnotu H0 (dávkovanie vypnuté).
5. Stlačte tlačidlo „Program“. Nastavenie je uložené do pamäte spotrebiča.

Tabuľka tvrdosti vody

Tvrdosť vody		mmol/l	Nastavená hodnota
°Clark	Tvrdosť		
0 – 8	mäkká	0 – 1,1	H0
9 – 10	mäkká	1,2 – 1,4	H1
11 – 12	stredná	1,5 – 1,8	H2
13 – 15	stredná	1,9 – 2,1	H3
16 – 20	stredná	2,2 – 2,9	H4
21 – 26	tvrdá	3,0 – 3,7	H5
27 – 38	tvrdá	3,8 – 5,4	H6
39 – 62	tvrdá	5,5 – 8,9	H7

Poznámka:

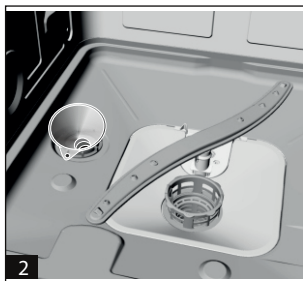
- Tvrdosť vody sa môže v každej oblasti líšiť.
- Ak sa používa tvrdá voda, budú sa na riade a príbore tvoriť usadeniny.
- Spotrebič je vybavený špeciálnym zmäčkovadlom vody používajúcim dávkovač soli navrhnutý tak, aby z vody odstraňoval vápnik a ďalšie minerály.

Pridávanie soli do zásobníka

Zásobník soli je umiestnený pod spodným košom. Plňte ho podľa nasledujúceho popisu:

- Používajte výhradne soľ určenú pre umývačky! Iné typy solí, ktoré nie sú určené pre umývačky, ako napr. kuchynská soľ, môže umývačku poškodiť. V prípade poškodenia spôsobeného použitím nevhodnej soli výrobca neposkytuje záruku a nie je zodpovedný za vzniknuté škody.

- Doplňujte soľ iba pred spustením niektorého kompletného umývacieho programu. Zabráňte tak korózii v dôsledku ponechania kryštálov soli alebo pretečeného roztoku na dne umývačky.



- Vyberte spodný kôš a potom odskrutkujte a vyberte veko zásobníka soli **1**.
- Ak plníte zásobník prvýkrát, naplňte ho do 2/3 objemu vodou (cca 500 ml) **2**.
- Do otvoru v zásobníku vložte lievnik (nie je súčasťou balenia) a nasypťe doň cca 2 kg soli (pre umývačky 60 cm), 1,2 kg soli (pre umývačky 45 cm). Malé množstvo vody obvykle zo zásobníka pretečie von.
- Po naplnení zásobníka riadne zaskrutkujte veko späť.
- Obvykle počas 2 – 6 dní po naplnení zásobníka soľou prestane svietiť kontrolka soli.

Poznámka:

- Soľ je potrebné doplniť v okamihu, keď sa na ovládacom paneli rozsvieti kontrolka soli. Skôr ako sa soľ plne rozpustí, môže kontrolka soli svietiť aj po tom, čo bola soľ doplnená.
- Ak dôjde k rozsypaniu soli v okolí zásobníka, spustíte program namáčania/oplachovania, ktorým sa soľ odstráni.

Naplnenie dávkovača leštidlom

Funkcia leštidla

Leštidlo sa automaticky dávkuje pri záverečnom leštiacom procese a zabraňuje vytváraniu škvŕn a šmúh počas sušenia.

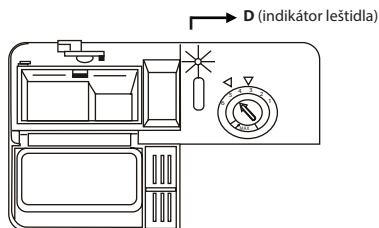
UPOZORNENIE

Do umývačky používajte výhradne značkové leštidlá. Dávkovače leštidla nikdy neplňte inými látkami (napr. čistidlom do umývačiek, tekutým saponátom). Mohlo by dôjsť k poškodeniu umývačky.

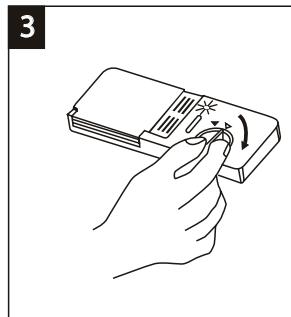
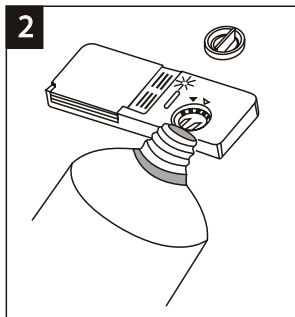
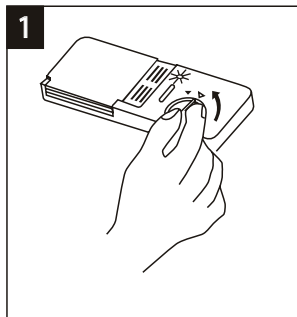
Kedy doplniť dávkovač leštidla

S úbytkom obsahu leštidla sa rozsah tmavej časti indikátora mení, ako je znázornené na obrázku.

- Plný
- 3/4 obsahu
- 1/2 obsahu
- 1/4 obsahu – potreba doplniť, aby sa netvorili škvŕny.
- Prázdny



DÁVKOVAČ LEŠTIDLA



1. Dávkovač otvoríte otočením viečka k šípke „open“ (doľava) a viečko vyberte.
2. Opatrne dolievajte do dávkovača leštidlo tak, aby nepretieklo.
3. Vložte viečko späť tak, aby lícovalo so šípkou „open“, a zavrite ho otočením doprava smerom ku „closed“.

Leštidlo sa uvoľňuje v záverečnej fáze programu pri leštení. To zabraňuje, aby sa na riade vytvárali kvapky, ktoré by na ňom mohli zanechať škrvny a šmuhy. Takisto urýchľuje sušenie a odkvapkávanie vody z riadu.

Vo vašej umývačke sa používa tekuté leštidlo. Dávkovač leštidla je umiestnený vo dvierkach vedľa dávkovača umývacieho prostriedku. Pri plnení dávkovača odoberte veko a vliievajte doň leštidlo, kým indikátor leštidla celkom nestmavne. Objem zásobníka leštidla je asi 140 ml.

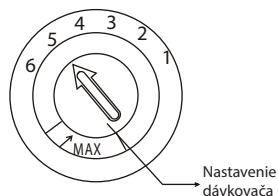
Dbajte na to, aby nedošlo k preplneniu dávkovača, zvyšky leštidla spôsobujú penenie. Uniknuté zvyšky utrite handrou. Pred zatvorením dvierok nezabudnite vrátiť späť viečko dávkovača.

UPOZORNENIE

Leštidlo, ktoré pri plnení pretieklo, vytrite nasiakavou handričkou, zabránite tak nadmernému peneniu pri ďalšom umývaní.

Nastavenie dávkovača leštidla

Dávkovač leštidla umožňuje šesť polôh nastavenia. Pri prvom umývaní nastavte ovládač do polohy „4“. Ak nastanú problémy so zlým sušením a škrvnami, zvýšte dávkovanie leštidla tak, že odoberte veko dávkovača a ovládač nastavte do polohy „5“. Ak sa riad stále zle suší a sú na ňom zjavné škrvny, nastavte ovládač na ďalšiu vyššiu hodnotu, kým sa škrvny neprestanú tvoriť. Z výroby je dávkovanie nastavené na hodnotu 5.



Poznámka:

- Ak sú po skončení umývania na riade kvapky vody alebo vápnité škrvny, zvýšte dávkovanie leštidla. Ak sa na riade objavia belavé lepkavé škrvny alebo na nožoch a skle modravý poťah, znížte dávkovanie leštidla.

Funkcia umývacieho prostriedku

Umývací prostriedok obsahuje chemické látky nevyhnutné na rozpustenie a odstránenie nečistôt z riadu a ich vyplavenie z umývačky. Na tieto účely je vhodná väčšina kvalitných bežne dostupných umývacích prostriedkov.

Koncentrovaný umývací prostriedok

Podľa svojho chemického zloženia je možné umývacie prostriedky rozdeliť do dvoch základných skupín:

- Bežné zásadité prostriedky so žieravými zložkami
- Slabo zásadité koncentrované prostriedky s prirodzenými enzýmami

Použitie umývacieho programu „Eco“ v spojení s koncentrovaným prostriedkom znižuje znečistenie životného prostredia a je optimálne pre váš riad. Tieto umývacie programy sú špeciálne prispôbené schopnostiam enzýmov rozpúšťať nečistoty. Z tohto dôvodu môže „Eco“ umývací program s použitím koncentrovaného

prostriedku dosiahnuť rovnaké výsledky, aké by inak bolo možné dosiahnuť iba s použitím „intenzívneho“ programu.

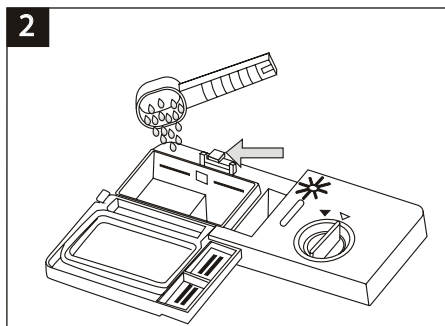
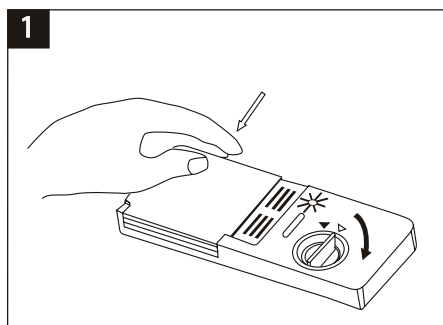
Umývací prostriedok v tabletách

Umývacie prostriedky v tabletách rôznych značiek sa rozpúšťajú rôzne rýchlo. Z toho dôvodu sa niektoré tablety počas krátkych programov celkom nerozpustia a neuvoľnia zo seba všetky čistiace látky. Umývacie prostriedky v tabletách preto používajte len pri dlhých programoch, aby sa z nich všetky látky celkom vyplavili.

Dávkovač umývacieho prostriedku

Umývacie prostriedok sa musí doplniť pred každým umývaním podľa pokynov uvedených v tabuľke programov. Táto umývačka má nižšiu spotrebu umývacích prostriedkov a leštidla než bežné umývačky. Bežná dávka umývacieho prostriedku je iba jedna lyžica na jedno umytie normálneho množstva riadu. Viac znečistený riad vyžaduje vyššiu dávku umývacieho prostriedku. Umývacie prostriedok pridávajte vždy tesne pred spustením umývačky, inak by mohol zvlhnúť a zle sa rozpúšťať.

Použitie množstvo umývacieho prostriedku



Poznámka:

- Ak je veko zatvorené: zatlačte na otváracie tlačidlo. Veko sa otvorí.
- Prostriedok doplňte tesne pred umývaním. Používajte iba značkové umývacie prostriedky určené pre umývačky.

UPOZORNENIE

Umývacie prostriedky sú agresívne látky! Starostlivo uložte mimo dosahu detí.

Správne používanie umývacieho prostriedku

Používajte výhradne umývacie prostriedky určené pre umývačky. Umývacie prostriedky ukladajte na suché a čisté miesto. Práškové umývacie prostriedky sypte do dávkovača až tesne pred umývaním riadu.

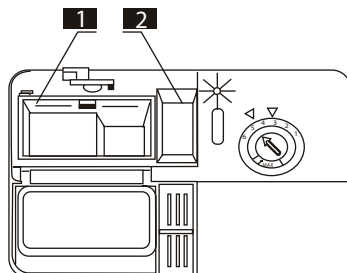
Dávkovanie umývacieho prostriedku

Naplňte dávkovač umývacím prostriedkom. Značky indikujú veľkosť dávky, pozrite obrázok:

- 1** Priestor na dávku hlavného umývacieho cyklu. Hodnota „MIN“ predstavuje cca 20 g prostriedku.
- 2** Priestor na dávku cyklu predumytia, cca 5 g prostriedku.

Pri dávkovaní a skladovaní umývacích prostriedkov dbajte na pokyny výrobcu uvedené na obale.

Zatlačte veko, kým celkom nezapadne.



Ak je riad silne znečistený, naplňte umývacím prostriedkom aj priehradku predumývacieho cyklu. Prostriedok tak začne pôsobiť už počas predumývania.

Poznámka:

- V tabuľke programov nájdete informácie o dávkovaní umývacieho prostriedku pre jednotlivé programy. Uvedomte si, prosím, že vzhľadom na mieru znečistenia riadu a tvrdosti vody môžu nastať isté rozdiely.
- Prečítajte si odporúčania výrobcu uvedené na obale umývacieho prostriedku.

Umývacie prostriedky

Rozlišujú sa tri druhy umývacích prostriedkov

1. S fosfátmi a chlóróm
2. S fosfátmi bez chlóróm
3. Bez fosfátov a chlóróm

Nové práškové umývacie prostriedky obvykle neobsahujú fosfáty. Z toho dôvodu nedochádza k mäkkeniu vody pôsobením fosfátov. V takom prípade odporúčame naplniť zásobník soli, ak keď je tvrdosť vody iba 6 °dH. Pri použití bezfosfátových prostriedkov a tvrdej vody sa na riade a na skle často objavujú biele škvrny. V takom prípade dosiahnete lepšie výsledky pridaním väčšieho množstva umývacieho prostriedku. Umývacie prostriedky bez chlóróm menej bielia. Tmavé a farebné škvrny sa nemusia odstrániť úplne. V takom prípade pusťte program s vyššou pracovnou teplotou.

Funkcia Polovičná náplň

1. Polovičná náplň je doplnková funkcia umývačky, umožňuje plnohodnotné umývanie polovičnej náplne riadu.
2. Pri zapnutí funkcie Polovičná náplň môžete využiť bežné programy umývania: Intenzívny, Úsporný (ECO), 90 min. a 30 min. a Opláchnutie. Predoplach nie je možné pri zapnutej funkcii Polovičná náplň využiť.
3. Pri zapnutej funkcii „Polovičná náplň“ dôjde k úprave tlaku vody pri umývaní riadu a zmenám v časových intervaloch pri jednotlivých krokoch umývania. Celkový čas umývania sa skráti.

Použitie tabliet „3 v 1“

Všeobecné odporúčania

Tieto produkty sú umývacie prostriedky s integrovaným leštidlom a zmäkčovadlom (solou).

1. Pred použitím týchto produktov by ste mali najprv overiť, či tvrdosť vašej vody umožňuje použitie týchto tabliet (pozrite odporúčania výrobcu na obale produktu).
2. Tieto prostriedky by sa mali použiť presne podľa odporúčaní výrobcu prostriedku.
3. Ak sa pri prvom použití produktu „3 v 1“ stretnete s problémami, obráťte sa, prosím, na linku zákazníckej podpory výrobcu.

Špeciálne odporúčania

- Pri použití kombinovaných produktov nie sú leštidlo a zmäkčovacia soľ účinné. Môže byť užitočné zvoliť najnižšie možné nastavenie tvrdosti vody.

Plnenie košov umývačky

Najlepšie výsledky umývania dosiahnete vtedy, keď sa budete riadiť nasledujúcimi pokynmi. Funkcie a vzhľad košov na riad a príbory sa môžu líšiť podľa modelu umývačky. Nesprávne umiestnenie v košoch môže spôsobiť nečistotu riadu a príborov po umytí.

Vkladanie a vyberanie riadu z košov

- Odstráňte z riadu väčšie zvyšky pokrmov. Pripálené zvyšky z panvíc nechajte odmočiť. Riad nie je potrebné vopred oplachovať pod tečúcou vodou.
- Predmety ukladajte do umývačky nasledujúcim spôsobom:
 - Predmety ako šálky, poháre, hrnce, misky a pod. ukladajte dnom hore, aby sa v nich nemohla zhromažďovať voda.
 - Poháre a iné krehké predmety sa nesmú vzájomne dotýkať, aby sa nepoškodili.

- Nádoby so zakrivenými alebo vyklenutými časťami ukladajte šikmo tak, aby z nich mohla vytekať voda.
- Riad a príbory sa nesmú vkladať do seba ani sa nesmú prekryvať.
- Väčšie predmety, ktoré sa umývajú ťažšie, ukladajte do spodného koša.
- Horný kôš je určený na krehkejšie a menšie predmety ako sú poháre, šálky alebo hrnčeky.
- Všetky predmety urovnajte tak, aby sa ostrekovacie ramená mohli voľne pohybovať.
- Všetky predmety zarovnajte tak, aby sa ostrekovacie ramená mohli voľne pohybovať.
- Veľmi malé predmety by sa do umývačky dávať nemali, pretože by mohli ľahko prepadnúť košom.
- Pri plnení umývačky by nemali byť horný a spodný kôš vysunuté súčasne, aby nedošlo k prevrhnutiu.

UPOZORNENIE

- Uistite sa, že žiadny predmet neprechádza dnom koša.
- Ostré predmety ukladajte vždy ostrím dole!
- Dlhé alebo ostré predmety (ako sú napríklad nože) neukladajte do zvislej polohy, hrozí nebezpečenstvo poranenia. Uložte ich vodorovne do horného koša.

Vyberanie riadu z umývačky

Odporúčame najskôr vyprázdniť spodný kôš a potom až horný, vyhnete sa tak odkvapkávaniu vody z horného koša do spodného.

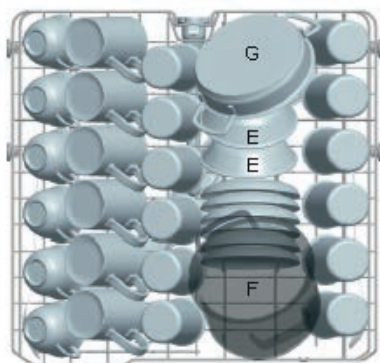
Plnenie horného koša

Horný kôš je určený pre krehkejšie a menšie predmety, ako sú poháre, hrnčeky, šálky a podšálky, tanierne, misky a plytké misky (ak nie sú príliš znečistené).

Riad a príbory ukladajte tak, aby ich nemohol prevrhnúť prúd striekajúcej vody.

60 cm umývačka

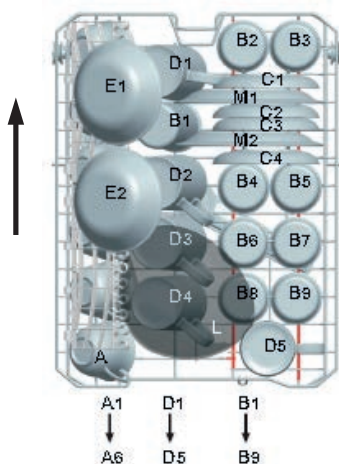
- A. Šálky
- B. Poháre
- C. Tanieriky
- D. Poháre
- E. Misa
- F. Malý hrniec
- G. Misa



A_ε D_ε B_ε C_ε B₁₂
 ↑ ↑ ↑ ↑ ↑
 A₁ D₁ B₁ C₁ B₇

45 cm umývačka

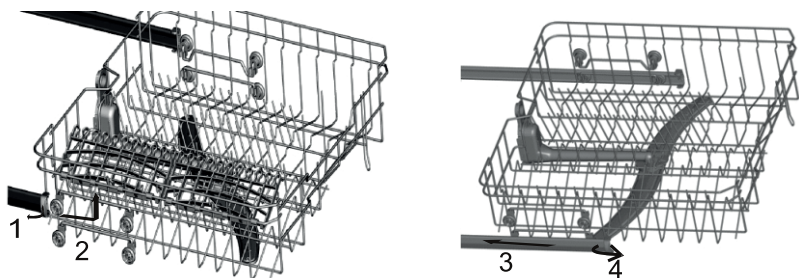
- A. Šálky
- B. Poháre
- C. Tanieriky
- D. Poháre
- E. Dezertný tanier
- L. Sklenená misa
- M. Dezertný tanier



A₁ D₁ B₁
 ↓ ↓ ↓
 A₆ D₅ B₉

Nastavenie horného koša

Výšku horného koša je možné upraviť tak, aby sa vytvorilo viac miesta na väčšie kusy riadu buď v hornom, alebo v spodnom koši. Výšku horného koša nastavíte vloženie koliesok koša do vodiacich drážok umiestnených v rôznych výškach. Dlhé predmety, servírovací aj stolový príbor a nože ukladajte do koša tak, aby nebránili pohybu ostrekovacích ramien. Prihradku je možné sklopíť alebo vybrať, ak sa nebude používať.



Plnenie spodného koša

Väčšie predmety a predmety, ktoré sa ťažko umývajú, t. j. hrnce, panvice, pokrievky, taniere a misky, odporúčame vkladať do spodného koša, ako znázorňuje obrázok.

Taniere a pokrievky odporúčame ukladať po stranách koša, aby nebránili rotácii horného ostrekovacieho ramena.

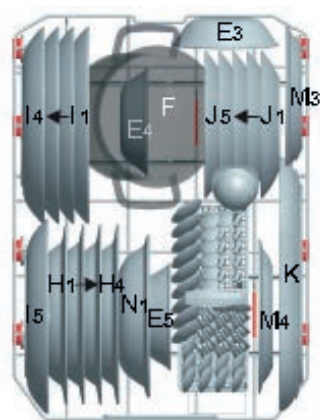
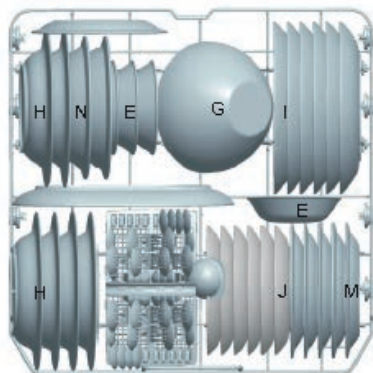
Hrnce, misky a pod. musia byť vždy uložené hore dnom.

Hlboké hrnce sa ukladajú šikmo, aby z nich mohla vytekať voda.

Spodný kôš je vybavený sklopnými stojanmi umožňujúcimi vkladanie veľkých hrncov a panvic.

60 cm umývačka

- G. Miska na dezert
- H. Polievkový tanier
- I. Plytký tanier
- J. Dezertová tara
- K. Oválny tanier
- L. Sklenená misa
- M. Dezertný tanier
- N. Melamínová miska



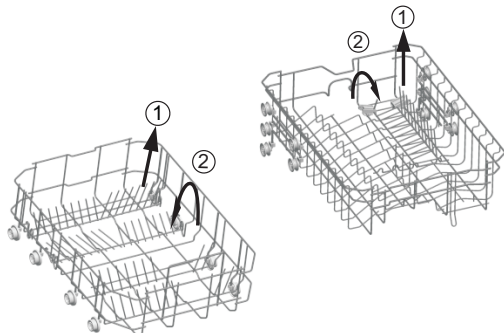
45 cm umývačka

- E. Miska na dezert
- H. Polievkový tanier
- I. Plytký tanier
- J. Dezertová tara
- K. Oválny tanier
- F. Menší hrniec
- M. Dezertný tanier
- N. Melamínová miska

Sklopné stojany horného a spodného koša

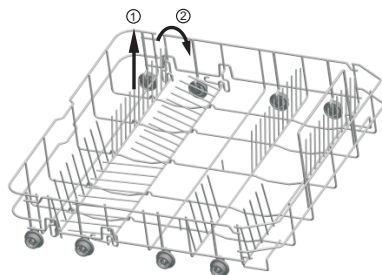
Sklopné stojany pozostávajú z dvoch častí. Sklopením stojanov v spodnom koši (pre umývačky 60 cm), vrchnom a spodnom koši (pre umývačky 45 cm), vznikne viac miesta na uloženie väčších hrncov a panvíc. V prípade potreby je možné každú časť sklopiť samostatne, alebo sklopiť obe časti naraz a vytvoriť tak v spodnom koši veľkú ložnú plochu.

Vrchný kôš pre umývačky 45 cm



Spodný kôš pre umývačky 45 cm

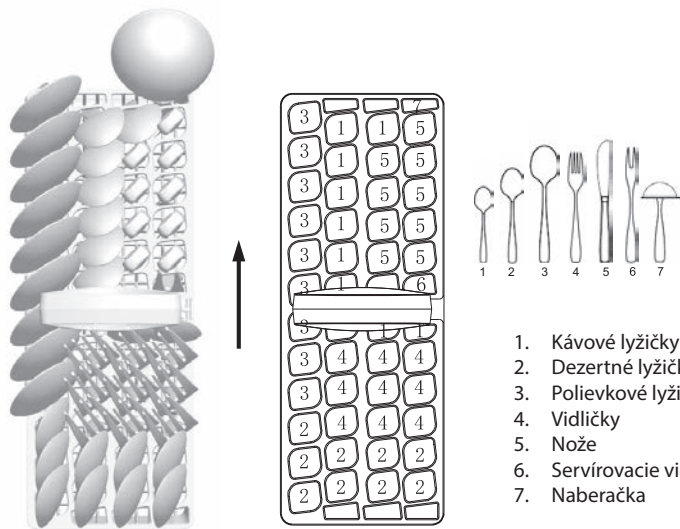
Spodný kôš pre umývačky 60 cm



Koš na príbory

Príbory usporiadajte v koši na príbory naznačeným spôsobom. Príbory umiestnite tak, aby mohla voda voľne pretekať.

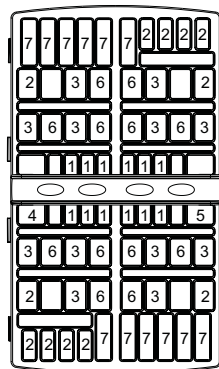
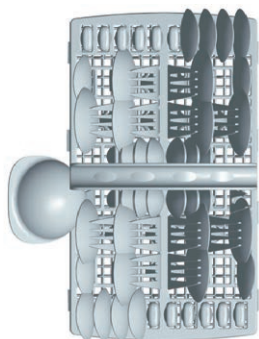
Kôš na príbory pre umývačky 45 cm



Strana smerom k dverám

1. Kávové lyžičky
2. Dezertné lyžičky
3. Polievkové lyžice
4. Vidličky
5. Nože
6. Servirovacie vidličky
7. Naberačka

Kôš na príbory pre umývačky 60 cm



Strana smerom k dverám



1. Kávové lyžičky
2. Dezertné lyžičky
3. Polievkové lyžice
4. Naberačka
5. Servírovacie vidličky
6. Vidličky
7. Nože

Riad nevhodný na umývanie v umývačke

Celkom nevhodný

Príbory s držadlami z dreva, porcelánu, rohoviny alebo perlete.

Nádoby z plastov, ktoré nie sú odolné teplu.

Príbory s lepenými časťami, ktoré nie sú odolné teplu.

Zlepovaný riad a príbory.

Cínové a medené predmety.

Krištáľové sklo.

Oceľové predmety, ktoré hrdzavejú.

Drevené dosky.

Predmety zo syntetických vlákien.

Ostré kuchynské nože, ktorých ostrie stratí umývaním svoje vlastnosti.

Neodporúčané

Niektoré druhy skiel, ktoré môžu po často opakovanom umývaní zmatnieť.

Strieborné a hliníkové časti, ktoré majú sklon strácať pri umývaní farbu.

Glazované vzory môžu pri častom umývaní v umývačke vyblednúť.

POZNÁMKA: Nevkladajte predmety znečistené cigaretovým popolom, voskom či farbami. Pri nákupe nového vybavenia kuchyne dbajte na to, aby bolo vhodné do umývačky.

POZNÁMKA: Nikdy umývačku nepreťažujte. Nepoužívajte riad, ktorý nie je vhodný na použitie v umývačke. Len tak dosiahnete dobré výsledky a ušetríte energiu.

Vkladanie riadu a príborov

Pred vložení riadu:

- Odstráňte hrubé zvyšky.
- Zvyšky pripálených pokrmov nechaťe odmočiť.

UPOZORNENIE

- Uistite sa, že žiadny predmet neprechádza dnom koša.
- Ostré predmety ukladajte vždy ostrím dolu!

Pri vkladaní riadu a príborov dbajte na to, aby:

- Vkladané predmety nebránili otáčaniu ostrekovacích ramien.
- Duté predmety ako šálky, poháre, misky a pod. ukladajte hore dnom, aby sa v nich nemohla zhromažďovať voda
- Riad a príbory sa nesmú vkladať do seba ani sa nesmú prekrývať.
- Poháre sa nesmú vzájomne dotýkať, aby sa nepoškodili.
- Väčšie predmety, ktoré sa umývajú ťažšie, ukladajte do spodného koša.
- Horný kôš je určený pre krehkejšie a menšie predmety, ako sú poháre alebo šálky a hrnčeky

UPOZORNENIE

Nože s dlhou čepelou uložené vo zvislej polohe predstavujú potenciálne nebezpečenstvo! Dlhé alebo ostré predmety, ako sú nože na porciovanie, musia byť uložené vodorovne v hornom koši.

Poškodenie pohárov a iného riadu

Možné príčiny:

- Nevhodný typ skla alebo výrobku. Chemické zloženie umývacieho prostriedku.
- Nevhodná teplota vody a dĺžka programu.

Odporúčané riešenia:

- Používajte sklenený a porcelánový riad, ktorý je výrobcom označený na použitie v umývačke.
- Používajte jemné umývacie prostriedky určené pre príslušný riad. V prípade potreby si od výrobcu umývacieho prostriedku vyžiadajte ďalšie informácie.
- Vyberte program s nižšou teplotou.
- Sklo a príbory vyberte z umývačky čo najskôr po skončení umývania, zabránite tak možnému poškodeniu.

Po skončení umývania

Pomocou tlačidla vypínača umývačku vypnite, zastavte prívod vody a otvorte dvierka umývačky. Pred vybratím riadu z umývačky vyčkajte niekoľko minút, aby ste nemanipulovali s riadom, kým je ešte horúci a hrozí väčšie riziko rozbitia. Riad tiež lepšie vyschne.

SPUSTENIE UMÝVACIEHO PROGRAMU

Tabuľka umývacích programov

Pre umývačky 45 cm						
Program	Informácie pre voľbu programu	Popis programu	Umývací prostriedok predumývania/umývanie	Dĺžka programu (min.)	Spotreba energie (kWh)	Spotreba vody (l)
Intenzívny	Pre silne znečistené hrnce, panvice a kastróly a riad so zaschnutými zvyškami potravín.	Predumývanie Umývanie (62 °C) Oplach 1 Oplach 2 Horúci oplach Sušenie	3/14 g (alebo 3 v 1)	170	1,20	16,4
Eco (*EN 60436) (štđ. program)	Pre bežne znečistený riad ako hrnce, taniere, poháre a mierne znečistené panvice. Štandardný denný cyklus.	Predumývanie Umývanie (44 °C) Horúci oplach Sušenie	3/14 g (alebo 3 v 1)	240	0,704	10
90 min	Ľahký umývací program vhodný pre chúlостivejší riad, citlivý na vysoké teploty. (Spustíte hneď po použití riadu.)	Umývanie (60 °C) Oplach Horúci oplach Sušenie	3/12 g	90	0,84	10
30 min	Mierne a normálne znečistené poháre, taniere alebo misky, každodenné umývanie.	Predumývanie Umývanie (40 °C) Horúci oplach	10 g	30	0,50	6,8
Opláchnutie	Na opláchnutie riadu, ktorý chcete umývať neskôr.	Predumývanie	–	13	0,01	3,6

Pre umývačky 60 cm						
Program	Informácie pre voľbu programu	Popis programu	Umývací prostriedok predumývania/umývanie	Dĺžka programu (min.)	Spotreba energie (kWh)	Spotreba vody (l)
Intenzívny	Pre silne znečistené hrnce, panvice a kastróly a riad so zaschnutými zvyškami potravín.	Predumývanie Umývanie (60 °C) Oplach 1 Oplach 2 Horúci oplach Sušenie	4/16 g (alebo 3 v 1)	180	1,30	16
Eco (*EN 60436) (štđ. program)	Pre bežne znečistený riad ako hrnce, taniere, poháre a mierne znečistené panvice. Štandardný denný cyklus.	Predumývanie Umývanie (44 °C) Horúci oplach Sušenie	4/16 g (alebo 3 v 1)	237	0,922	11
90 min	Ľahký umývací program vhodný pre chúlостivejší riad, citlivý na vysoké teploty. (Spustíte hneď po použití riadu.)	Umývanie (50 °C) Oplach Horúci oplach Sušenie	3/15 g	90	0,89	14

Pre umývačky 60 cm						
Program	Informácie pre voľbu programu	Popis programu	Umývací prostriedok predumývania/umývanie	Dĺžka programu (min.)	Spotreba energie (kWh)	Spotreba vody (l)
30 min	Mierne a normálne znečistené poháre, tanieri alebo misky, každodenné umývanie.	Predumývanie Umývanie (40 °C) Horúci oplach	15 g	30	0,50	7
Opláchnutie	Na opláchnutie riadu, ktorý chcete umývať neskôr.	Predumývanie	–	11	0,01	4

Hodnoty pre programy iné než program ECO sú iba orientačné.

- 1 Program ECO je vhodný na umývanie bežne znečistených riadov, je najúčinnjším programom z hľadiska kombinovanej spotreby energie a vody. Tento program sa používa na posúdenie súladu s právnymi predpismi EÚ o ekodizajne.
- 2 Ručné umývanie riadu pred vloženíím do umývačky riadu vedie k zvýšenej spotrebe vody a energie a neodporúča sa.
- 3 Umývanie riadu v umývačke riadu zvyčajne spotrebuje menej energie a vody ako ručné umývanie, ak sa umývačka riadu pre domácnosť používa podľa týchto pokynov. Naplnením umývačky riadu pre domácnosť do kapacity uvedenej výrobcom prispieje k úsporám energie a vody.

Informácie pre porovnávací test v súlade s EN 60436 sú nasledujúce:

- Kapacita: 12 súprav pre umývačky 60 cm, 9 súprav pre umývačky 45 cm
- Pozícia horného koša: Spodná pozícia
- Nastavenie dávkovača leštidla: 5 (alebo 4 pre dávkovač so štyrmi polohami)

Zapnutie spotrebiča

Spustenie umývacieho programu

1. Naplňte oba koše riadom a zasuňte ich späť.
Odporúčame naplniť najskôr spodný kôš a potom horný.
2. Pridajte umývací prostriedok (pozrite kapitoly venované dávkovaniu).
3. Pripojte napájací prívod do vhodnej sieťovej zásuvky, pozrite typový štítok spotrebiča. Skontrolujte, či je prívod vody otvorený naplno.
4. Uistite sa, že nič nebráni v pohybe ostrekovacích ramien a zavrite dverka.
5. Stlačte tlačidlo vypínača a stlačením tlačidla programu zvolte požadovaný umývací cyklus, pozrite Tabuľku programov.

Poznámka:

- Pri správnom zatvorení dverí sa ozve cvaknutie. Po dokončení umývania môžete umývačku vypnúť tlačidlom vypínača.

Zmena programu

Základný predpoklad: Program môžete meniť za chodu iba v prípade, že umývačka beží len krátky čas. V opačnom prípade môže byť umývací prostriedok už spotrebovaný a voda odčerpaná. Potom je potrebné zásobník umývacieho prostriedku znovu naplniť (pozrite kapitolu „Dávkovanie umývacieho prostriedku“).

1. Stlačením tlačidla vypínača zrušte program a umývačku týmto tlačidlom opäť zapnite.
2. Teraz môžete vybrať nový, požadovaný program (pozrite „Spustenie umývacieho programu“).

Poznámka:

- Ak otvoríte dverka počas umývania, umývačka sa zastaví, ozve sa výstražný signál a na displeji sa objaví chybové hlásenie „E1“. Keď dverka zavriete, začne umývačka po krátkom oneskorení znovu pracovať.

Poznámka:

- Ak všetky kontrolky začnú blikať, znamená to, že je umývačka mimo prevádzky. Vypnite hlavný vypínač, zavrite prívod vody a zavolajte servis.

Ak zabudnete vložiť nejaký riad

Zabudnuté kusy riadu je možné vkladať kedykoľvek až do okamihu otvorenia dávkovača umývacieho prostriedku.

1. Pootvorte dvierka a vyčkajte na zastavenie programu.
2. Hneď ako ostrekovacie ramená ukončia činnosť, môžete dvierka plne otvoriť.
3. Vložte zabudnuté kusy riadu.
4. Uzavrite dvierka, umývačka sa po 10 sekundách opäť spustí.

VAROVANIE!

- Počas prevádzky je otváranie dvierok nebezpečné, pretože hrozí nebezpečenstvo oparenia sa horúcou vodou. Umývací program je ukončený až vtedy, keď sa na digitálnom displeji objaví „- -“ a ozve sa 6x zvukové znamenie. Potom vypnite umývačku tlačidlom vypínača a zavrite prívod vody.

Po skončení programu

1. Stlačením vypínača umývačku vypnite.
2. Zavrite prívod vody.
3. Otvorte opatrne dvierka umývačky, nechajte ich pootvorené a pred vybratím riadu vyčkajte niekoľko minút. Riad tak môže vychladnúť a lepšie doschnúť.

Poznámky

- Dvierka otvárajte opatrne, para unikajúca z otvorených dvierok je horúca!
- Pred vyberaním riadu a príborov z umývačky vyčkajte pár minút, pretože je riad krátko po umývaní horúci a mohol by ľahko popraskať.

Vyberanie riadu z umývačky

- Vnútro umývačky býva obvykle vlhké.
- Najskôr vyprázdňte spodný kôš a potom horný. Tak sa vyhnete odkvapkávaniu vody z horného koša do spodného.

ÚDRŽBA A ČISTENIE**Filtračný systém**

Filter chráni čerpadlo pred vniknutím väčších kusov pokrmov a iných objektov. Zvyšky pokrmov môžu filter upchať. Preto je potrebné filter z času na čas vybrať a vyčistiť.

Filtračný systém pozostáva z hrubého filtra, plochého (hlavného) filtra a jemného mikrofiltra.

1 Plochý filter

Zvyšky potravín a nečistoty sú špeciálnou tryskou na spodnom ramene zvedené do tohto filtra.

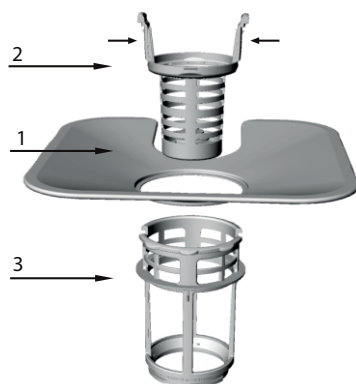
2 Hrubý filter

V tomto filtri sa zachytávajú väčšie častice ako kusy kostí alebo skla, ktoré by mohli upchať odpad. Ak potrebujete odstrániť z filtra zachytené častice, jemne stlačte jazýčky v hornej časti a filter vytiahnite.

3 Mikrofilter

Tento filter zachytáva v nádržke lapača nečistoty a drobné zvyšky potravín a zabraňuje ich opätovnému usadeniu na riad.

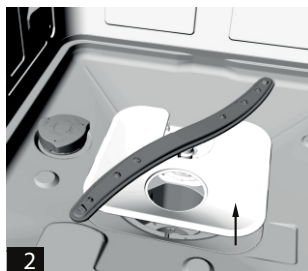
- Po každom použití umývačky skontrolujte, či nie je filter upchatý.



- Po odkrutkovaní hrubého filtra môžete vybrať celý filtračný systém. Odstráňte všetky zvyšky pokrmov a potom filter prepláchnite pod tečúcou vodou.



Krok 1: Otočte filtrom proti smeru chodu hodinových ručičiek a potom ho vysuňte.



Krok 2: Vysuňte plochý filter nahor.

Poznámka:

- Pri vyberaní filtra postupujte od kroku 1 ku kroku 2, pri vkladaní filtra späť postupujte od kroku 2 ku kroku 1.

Montáž filtra

Pravidelné čistenie filtra zaisťuje optimálny výkon a výsledky umývania. Filter účinne zachytáva častice z umývacej vody a umožňuje tak recykláciu vody počas cyklu. Preto je vhodné po každom umývacom cykle odstrániť z filtra väčšie zachytené častice vypláchnutím filtra pod tečúcou vodou. Filter vyberte ťahom za úchyt filtra v zvislom smere. Celý filter by sa mal čistiť raz týždenne.

Na čistenie hrubého a jemného filtra použijete čistiacu kefku. Potom filter znovu zostavte podľa obrázkov vyššie a celý filtračný systém vložte do umývačky na pôvodné miesto a zatlačte ho smerom dole.

VAROVANIE!

- **Umývačka sa nesmie nikdy používať bez filtra!** Nesprávne uloženie filtra môže znížiť výkon stroja a poškodiť riad a príbory.
- Pri čistení na filter neklepte. Zdeformovaný filter negatívne ovplyvní funkčnosť umývačky.

Čistenie ostrekovacích ramien

Pravidelné čistenie ostrekovacích ramien od chemikálií z tvrdej vody je veľmi dôležité, pretože vznikajúci vodný kameň zanáša trysky a ložiská. Ostrekovacie ramená môžete vybrať po vyskrutkovaní matice na vrchnej časti ramena v smere chodu hodinových ručičiek, potom je možné ramená vybrať. Ostrekovacie ramená opláchnite v teplej mydlovej vode a jemnou kefou očistite trysky. Po dôkladnom opláchnutí nasadte ramená späť.

Starostlivosť o umývačku

Ovládací panel čistite mierne navlhčenou handričkou. Po čistení dôkladne osušte.

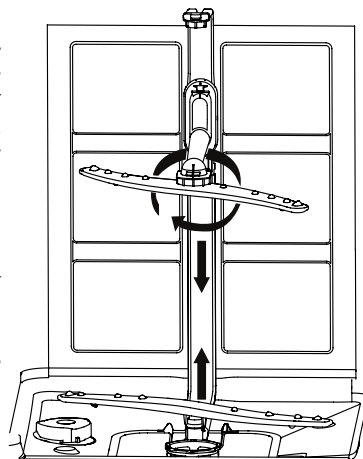
Na údržbu vonkajších častí používajte kvalitný leštiaci vosk.

Na čistenie častí umývačky nikdy nepoužívajte ostré nástroje, brúsne prášky alebo agresívne čističe.

Ochrana proti zamrznutiu

Ak je umývačka v zimnom období ponechaná na nevykurovanom mieste, vykonajte nasledujúce úkony:

1. Odpojte umývačku od napájania.
2. Zavrite prívod vody a odpojte prívodnú hadicu od prívodu vody.



3. Vpustite vodu z prírodnej hadice a vodovodného ventilu. (Na zachytenie vody použite hrniec.)
4. Pripojte znovu prírodnú hadicu k vodovodnému ventilu.
5. Z dolnej časti umývačky vyberte nádržku s filtrom a pomocou huby vysušte vodu z nádržky lapača.

Čistenie dvierok

- Na čistenie okrajov okolo dvierok používajte iba handričku navlhčenú teplou vodou. Nepoužívajte žiadne čističe v spreji, aby nedošlo k vniknutiu vody do zámky dvierok alebo elektrických komponentov. Nepoužívajte ani žiadne abrazívne čističe alebo brúsne prášky, ktoré by mohli poškrabať povrch spotrebiča. Aj niektoré papierové utierky môžu zanechať na povrchu stopy alebo škrabance.

Ako udržať umývačku v dobrom stave

Po každom umývaní

Po každom umývaní zavrite prívod vody do prístroja a ponechajte dvierka mierne otvorené tak, aby zvnútra vyprchala vlhkosť a pachy.

Odpojte napájací prívod

Pred každým čistením a údržbou odpojte napájací prívod od sieťovej zásuvky. Neriskujte.

Nepoužívajte rozpúšťadlá ani abrazívne čistiadlá

Na čistenie vonkajších a gumových častí umývačky nikdy nepoužívajte rozpúšťadlá ani abrazívne čistiadlá. Používajte iba handričku navlhčenú v teplej mydlovej vode. Škrvny a usadeniny z vnútorných povrchov umývačky odstránite handričkou zvlhčenou v slabom octovom roztoku alebo špeciálnym prostriedkom určeným pre umývačky.

Počas dovolenky

Ak umývačku nebudete dlhší čas používať, vykonajte umývací cyklus bez riadu, odpojte prívod elektriny, uzavrite prívod vody a nechajte dvierka umývačky pootvorené. Zabráňte tak vzniku zápachu vnútri spotrebiča a šetríte tesnenie dvierok.

Sťahovanie umývačky

Ak je nutné umývačku premiestniť, snažte sa ju prepravovať vo zvislej polohe. Ak je to nevyhnutné, môže byť položená na zadnú časť.

Tesnenie

Zvyšky pokrmov, ktoré sa zachytia v tesnení dvierok, predstavujú jeden z faktorov tvorby zápachu v umývačke. Vzniku zápachu zabránite pravidelným čistením tesnenia vlhkou hubkou.

TIPY NA RIEŠENIE ŤAŽKOSTÍ

Skôr ako zavoláte servis

Odporúčania nasledujúcej tabuľky vám môžu pomôcť problém vyriešiť. Ak problémy pretrvávajú, obráťte sa na autorizovaný servis.

Problém	Možná príčina	Nápravná akcia
Umývačka sa nespustí.	Došlo k prepáleniu poistky alebo vybaveniu ističa.	Vymeňte poistku alebo zapnite istič. Odpojte všetky ostatné elektrospotrebiče zapojené do rovnakého zásuvkového okruhu.
	Napájanie nie je zapnuté.	Skontrolujte, či je umývačka zapnutá a dvierka sú riadne zatvorené. Skontrolujte, či je vidlica sieťovej šnúry riadne pripojená do sieťovej zásuvky.
	Príliš nízky tlak vody	Skontrolujte, či je prívod vody riadne pripojený a prírodný ventil otvorený.
Nezastaví sa vypúšťacie čerpadlo	Pretečenie	Systém je konštruovaný tak, aby detegoval stav pretečenia. V takom prípade sa zastaví cirkulačné čerpadlo a spustí sa vypúšťacie čerpadlo.

Problém	Možná príčina	Nápravná akcia
Hluk	Určité zvuky počas umývania sú normálne	Zvuk otvorenia viečka dávkovača umývacieho prostriedku.
	Riad nie je v košoch riadne zaistený alebo do koša spadol menší predmet	Uistite sa, že je všetok riad v umývačke riadne zaistený.
	Hukot motora	Umývačka sa pravidelne nepoužívala. Ak umývačku používate len zriedka, nezabudnite každý týždeň napustiť a odčerpať vodu, aby nedošlo k vysušeniu tesnenia.
Pena vo vani umývačky	Nesprávny umývaci prostriedok	Používajte výhradne umývacie prostriedky určené pre automatické umývačky. V prípade výskytu peny otvorte dvierka umývačky a nechajte penu odpariť. Do vane nalejte cca 4,5 litra studenej vody. Umývačku zavrite a spustením programu „namáčanie“ vodu vypustíte. V prípade potreby opakujte.
	Pretečenie leštidla	Rozliate leštidlo bezodkladne vytrite.
Zafarbené vnútro vane	Použil sa saponát s farbivom.	Dbajte na to, aby použitý umývaci prostriedok neobsahoval farbivá.
Riad a príbory nie sú čisté	Zvolený nevhodný program	Zvoľte intenzívnejší program.
	Nesprávne uložený riad v košoch	Uistite sa, že účinok dávkovača umývacieho prostriedku a ramien ostrekovača nie je blokován veľkými kusmi riadu.
Škvry na film na pohároch a príboroch	<ol style="list-style-type: none"> 1. Veľmi tvrdá voda 2. Nízka teplota prívodu 3. Príliš veľa riadu v umývačke 4. Nesprávne uloženie riadu 5. Starý alebo navlhnutý prášok 6. Prázdny dávkovač leštidla 7. Nesprávne dávkovanie prostriedku 	<p>Odstránenie škvŕn zo skla:</p> <ol style="list-style-type: none"> 1. Vyberte všetky kovové príbory 2. Nedoplníte umývaci prostriedok 3. Vyberte najdlhší program 4. Spustíte umývačku a nechajte ju bežať cca 18 až 22 minút, než dospeje do fázy hlavného umývania. 5. Otvorte dvierka a na dno umývačky vlejete 2 šálky bieleho octu. 6. Zavrite dvierka a nechajte umývačku dokončiť program. Ak ocot nepomôže: Opakujte vyššie uvedený postup, ale namiesto octu použite 1/4 šálky (60 ml) kryštalickej kyseliny citrónovej.
Zákal na sklenenom riade.	Kombinácia mäkkej vody a nadbytočného množstva umývacieho prostriedku.	Ak používate mäkkú vodu, použite na umývanie skla menej umývacieho prostriedku a zvoľte kratší program.
Žltý alebo hnedý povlak na vnútorných povrchoch	Kávové alebo čajové škvry	<p>Použite roztok 1/2 šálky bielidla a 3 šálok vody a odstráňte škvry ručne.</p> <p>POZOR!</p> <p>Po dokončení programu vyčkajte pred čistením vnútorného povrchu aspoň 20 minút, aby mohli vychladnúť ohrievacie telesá. V opačnom prípade hrozí popálenie.</p>
	Kovové usadeniny vo vode môžu spôsobiť všade sa nachádzajúci povlak	Obráťte sa na dodávateľa vody so žiadosťou o inštaláciu špeciálneho filtra.
Biely potah na vnútornom povrchu.	Tvrdá voda s obsahom minerálov	Na vyčistenie vnútra použite hubku navlhčenú v čistiacom prostriedku pre umývačky. Použite gumové rukavice. Nikdy nepoužívajte iný čistiaci prostriedok než pre umývačky, zabránite tak peneniu alebo vzniku mydlín.
Veko dávkovača umývacieho prostriedku nie je možné riadne zavrieť	Zvyšky prostriedku upchali západku viečka	Odstráňte zvyšky prostriedku zo západky.
V miskách dávkovača zostal umývaci prostriedok.	Riad blokoval misky dávkovača.	Preusporiadajte riad.

Problém	Možná příčina	Nápravná akcia
Para	Tento jav je normálny	Počas sušenia a vypúšťania vody uniká z vetracích otvorov pri dvierkach určité množstvo pary.
Čierne alebo sivé škvrny na riade.	Hliníkové príbory sa trelí o ostatný riad.	Na odstránenie týchto škvŕn použite jemné abrazívne čistiadlo.
Na dne výlevky zostáva voda	Tento jav je normálny	Malé množstvo čistej vody okolo výpustu na dne výlevky zabraňuje presušeniu vodného tesnenia.
Únik vody z umývačky	Preplnenie dávkovača alebo rozliatie leštidla	Dbajte na to, aby ste nepreplňovali dávkovač leštidla. Rozliate leštidlo môže spôsobiť prílišné penenie a môže viesť k pretečeniu. Rozliate leštidlo zotrite vlhkou handričkou.
	Umývačka nie je vo vodorovnej polohe	Zaistíte vodorovnú polohu umývačky.

Ak pokyny v tabuľke vyššie nevyriešia problém, na ktorý ste narazili, obráťte sa na svojho predajcu alebo autorizované servisné stredisko. Neúmyselná manipulácia so spotrebičom môže ohroziť bezpečnosť používania a zrušiť záruku. Kontakt na autorizovaný servis je uvedený v priloženom záručnom liste.

Chybové kódy

V prípade poruchy zobrazí umývačka prostredníctvom LED kontroliek ovládacieho panelu kód príslušnej chyby.

Kód	Význam	Možná příčina
E1	Otvorené dvierka	Otvorené dvierka za chodu umývačky
E2	Prívod vody	Porucha prívodu vody
E3	Odtok vody	Porucha odčerpávania vody
E4	Snímač teploty	Porucha snímača teploty
E5	Pretečenie/únik vody	Došlo k pretečeniu/úniku vody
E6	Únik vody	Došlo k úniku vody
E7	Ohrievacie teleso	Chyba ohrevu

UPOZORNENIE

- Všetky opravy alebo nastavenia vrátane výmeny napájacieho prívodu zverte autorizovanému servisu! Inak sa vystavujete nebezpečenstvu úrazu či strate záruky.
- Kontakt na odborný servis tohto produktu nájdete v priloženom záručnom liste alebo na stránkach www.ecg-electro.eu.
- Náhradné diely uvedené v EÚ 2019/2022 sú k dispozícii 10 rokov.
- Prístup do databázy produktov, kde sú uložené informácie k tomuto výrobku podľa EÚ 2019/2017, môžete získať načítaním QR kódu na energetickom štítku.
- Ak dôjde k úniku vody, zavrite prívodný vodovodný ventil a obráťte sa na autorizované servisné stredisko. Ak je na dne umývacieho priestoru voda v dôsledku pretečenia alebo úniku, odstráňte ju pred novým spustením umývačky.

Poznámka:

Prístroj spĺňa európske normy a predpisy v súčasnom znení:

- LVD – EU smernice 2014/35/EU
- EMC – EU smernice 2014/30/EU
- EUP 2019/2022

Vyššie uvedené hodnoty boli namerané za špecifických pracovných podmienok v súlade s príslušnými normami. Výsledky sa môžu významne líšiť v závislosti od množstva a miery znečistenia riadu, tvrdosti vody, množstva umývacieho prostriedku a pod.

Tento návod na použitie je spracovaný podľa noriem a predpisov Európskej únie.

TECHNICKÉ ÚDAJE

	EDF 4527 QWE	EDF 4525 QWE	EDF 4535 QWE	EDF 6027 QWE
Výška (cm)	84,5	84,5	84,5	84,5
Šírka	44,8	44,8	44,8	60
Hĺbka (vrátane pripojenia)	60	60	60	60
Príkonnosť	1850 W	1850 W	1850 W	1850 W
Menovité napätie/frekvencia	220 – 240 Vac/50 Hz	220 – 240 Vac/50 Hz	220 – 240 Vac/50 Hz	220 – 240 Vac/50 Hz
Tlak vody (hydrodynamický tlak)	0,4 – 10,0 bar = 0,04 – 1,0 MPa	0,4 – 10,0 bar = 0,04 – 1,0 MPa	0,4 – 10,0 bar = 0,04 – 1,0 MPa	0,4 – 10,0 bar = 0,04 – 1,0 MPa

LIKVIDÁCIA

Riadne z umývačky odstráňte všetok obalový materiál.

Všetok obalový materiál je možné recyklovať.

Súčasti z plastu sú označené štandardnými medzinárodnými skratkami:

- PE.....polyetylén, napr. baliace fólie
- PS.....polystyrén, napr. vycpávkový materiál
- POM.....polyoxymetylén, napr. plastové svorky
- PP.....polypropylén
- ABS.....akrylonitrilbutadiénstyren, napr. ovládací panel

UPOZORNENIE

- Obalový materiál môže byť nebezpečný pre deti!
- Nepotrebný obalový materiál, prosím, odovzdajte v zbernom dvore. Znehodnoťte pri tom prístroj tak, že odstránite dvierka a odstrihnete napájací kábel.
- Kartónová škatuľa obalu je vyrobená z recyklovaného papiera, a preto by mala byť odovzdaná do zberu na ďalšiu recykláciu.
- Riadnou likvidáciou prístroja prispějete k ochrane životného prostredia a ľudského zdravia, ktoré by mohlo byť ohrozené v prípade nesprávneho zaobchádzania s vyradeným výrobkom.
- Viac informácií o recyklácii tohto výrobku získate od miestnych úradov alebo od zberného strediska.

LIKVIDÁCIA: Neodkladajte výrobok do netriedeného odpadu z domácnosti. Jednotlivé časti sa musia triediť podľa materiálov a ukladať zvlášť na ďalšie spracovanie.

VYUŽITIE A LIKVIDÁCIA ODPADU

Baliaci papier a vlnitá lepenka – odovzdajte do zberných surovín. Prebalová fólia, PE vrecúška, plastové diely – do zberných kontajnerov na plasty.

LIKVIDÁCIA VÝROBKU PO UKONČENÍ ŽIVOTNOSTI

Likvidácia použitých elektrických a elektronických zariadení (platí v členských krajinách EÚ a ďalších európskych krajinách so zavedeným systémom triedenia odpadu)

Vyobrazený symbol na produkte alebo na obale znamená, že s produktom by sa nemalo nakladať ako s domovým odpadom. Produkt odovzdajte na miesto určené na recykláciu elektrických a elektronických zariadení. Správnu likvidáciu produktu zabránite negatívnym vplyvom na ľudské zdravie a životné prostredie. Recyklácia materiálov prispieva k ochrane prírodných zdrojov. Viac informácií o recyklácii tohto produktu vám poskytne obecný úrad, organizácia na spracovanie domového odpadu alebo predajné miesto, kde ste produkt kúpili.



08/05



Tento výrobok spĺňa požiadavky smerníc EÚ o elektromagnetickej kompatibilite a elektrickej bezpečnosti. Tento výrobok spĺňa požiadavky na vydávanie ťažkých kovov v elektrických zariadeniach.

Návod na obsluhu je k dispozícii na webových stránkach www.ecg-electro.eu.
Zmena textu a technických parametrov vyhradená.

www.ecg-electro.eu

Deutsch

K+B Progres, a.s./AG.
Barbaraweg 2, DE-93413 Cham
Bei Beschwerden rufen Sie die Telefonnummer
09971/4000-6080 an. (Mo – Fr 9:00 – 16:00)

Čeština

K+B Progres, a.s.
U Expertu 91
250 69 Klíčany
tel.: +420 272 122 111
e-mail: ECG@kbexpert.cz

Slovenčina

Distribútor pre SR: K+B Progres, a. s., organizačná zložka
Mlynské Nivy 71
821 05 Bratislava
e-mail: ECG@kbexpert.cz

■ The manufacturer takes no responsibility for printing errors contained in the product's user's manual. ■ Der Importeur haftet nicht für Druckfehler in der Bedienungsanleitung des Produkts. ■ Výrobce neručí za tiskové chyby obsažené v návodu k použití výrobku. ■ Dovozca neručí za tlačové chyby obsiahnuté v návode na použitie výrobku.